

SAMSUNG

DUAL BAND Mobile SGH-A100

by Toko (www.gsm-free.com)

SERVICE *Manual*

Dual Band Mobile Cellular Phone



CONTENTS

1. Electrical Parts List
2. Exploded Views and Parts List
3. Block Diagram
4. PCB Views
5. Schematic Diagrams

1. Electrical Parts List

Level	SEC CODE	Design LOC	DESCRIPTIONS	Remark
0			SGH-A100GA/XEG	
1	6001-001148		SCREW-MACHINE BH, *, M2, L5, ZPC(BLK), SM20C, FDP	
1	GH68-00641B		LABEL(P)-COLOR STICKER(GOLD) SGH-800, ART(100G),	
1	GH68-00718A		LABEL(P)-SHIP(GERM) SGH-A100, CRP, 250X120, 100G,	
1	GH68-30963A		LABEL(R)-BAR CODE SP-D300, PR, 34X6.5, T0.1, WHT	
1	GH71-00077A		NPR-ANT.CONTACT SGH-A100, KSP5202, T0.1, AU	
1	GH71-00219A		NPR-SHIELD PLATE(C) SGH-A100, C5210TS, -, AU	
1	GH72-00515A		PMO-LCD WINDOW SGH-A100, TRP ACRYL, GRY, -, -	
1	GH73-00158A		RMO-R.F COVER SGH-A100, URETHAN, -, D/GRY, -	
1	GH73-00159A		RMO-BUZZER HOLDER SGH-A100, RUBBER, -, BLK, -	
1	GH73-00160A		RMO-MIC HOLDER SGH-A100, RUBBER, -, BLK, -	
1	GH73-00243A		RMO-HINGE RUBBER SCH-A200, RUBBER, 4X6XT1.2,	
1	GH73-00270A		RMO-CONTACT RUBBER SGH-A100, RUBBER,	
1	GH74-00342A		MPR-WINDOW TAPE SGH-A100, VINYL, T0.1, TRP, -	
1	GH75-00223A		MEC-HANGER ROPE SGH-2300, -, GRY	
1	GH92-00724A		PBA MAIN-SGH-2300 SGH-2300, -, USA, -, -, -, -	
1	GH96-00894A		ELA ETC-SGHA100 EAR-MIC SGH-A100, -, USA,	
1	GH97-01483A		MEA FRONT-COVER SGH-A100, -, GERM, GLD, -, -, -	
2	6001-000876		SCREW-MACHINE CH, +, M1.7, L2, ZPC(BLK), SWRCH18	
2	GH72-00510A		PMO-VOLUME KEY SGH-A100, -, D/GRY, -, -	
2	GH72-00511A		PMO-SHIELD COVER SGH-A100, ABS, -, CR, -	
2	GH73-00156A		RMO-KEY PAD SGH-A100, RUBBER, -, -, -	
2	GH74-00342A		MPR-WINDOW TAPE SGH-A100, VINYL, T0.1, TRP, -	
2	GH74-00435A		MPR-SHIELD TAPE SGH-A100, COPPER TAPE,	
2	GH74-00436A		MPR-SHIELD SPONGE SGH-A100, -, 13X6.5XT1.2, SIL, -	
2	GH74-00529A		MPR-SHIELD SPONGE(B) SGH-A100, -, 6.5X6.5X1.2, SIL, -	
2	GH74-00637A		MPR-SHIELD SPONGE(C) SGH-A100, -, 6X10XT1.5, SIL, -	
2	GH74-00639A		MPR-SHIELD TAPE SGH-A100, -, 17X3XT0.1, SIL, -	
2	GH75-00316A		MEC-SUA.FRONT COVER SGH-A100, -, GLD	
3	GH72-00505A		PMO-FRONT COVER SGH-A100, PC, GLD, -, -	
3	GH72-00506A		PMO-REFLECTOR LED SGH-A100, ACRYL, -, -, -	
3	GH72-00509A		PMO-HINGE DUMMY SGH-A100, POM, BLK, -, -	
3	GH75-00147A		MEC-SUA. HINGE SCH-A100, -, BLK	
4	GH70-00020A		IPR-SPRING HINGE SCH-A100, STS304,	
4	GH72-00290A		PMO-HOUSING HINGE SCH-A100, PC, BLK, -, -	

Level	SEC CODE	Design LOC	DESCRIPTIONS	Remark
4	GH72-00291A		PMO-SHAFT HINGE SCH-A100, POM, BLK, -, -	
4	GH72-00292A		PMO-CAM HINGE SCH-A100, POM, BLK, -, -	
3	GH75-00319A		MEC-SUA.FOLDER LOWER SGH-A100, -, GLD	
4	GH71-00074A		NPR-FOLDER BRACKET(R) SGH-A100, C5210SS-H, T0.5,	
4	GH71-00075A		NPR-FOLDER BRACKET(L) SGH-A100, C5210SS-H, T0.5,	
4	GH72-00508A		PMO-FOLDER LOWER SGH-A100, PC, GLD, -, -	
4	GH73-00263A		RMO-FOLD HOLDER SGH-A100, RUBBER, -, D/GRY, -	
4	GH74-00257A		MPR-TAPE WINDOW LCD SGH-A100, TESA, T0.2, TRP, -	
4	GH74-00258A		MPR-TAPE MOTOR SGH-A100, TESA, T0.4, BLK, -	
4	GH74-00259A		MPR-TAPE MAGNETIC SGH-A100, TESA, T0.2, TRP, -	
4	GH74-00260A		MPR-MAGNETIC COVER SGH-A100, PC SHEET,	
4	GH74-00261A		MPR-TAPE LCD SGH-A100, TESA, T0.4, BLK, -	
4	GH74-00343A		MPR-SPONGE FOLDER SGH-A100, SPONGE, T1.0, BLK, -	
2	GH75-00318A		MEC-SUA.FOLDER UPPER SGH-A100, -, GLD	
3	GH72-00507A		PMO-FOLDER UPPER SGH-A100, PC, GLD, -, -	
3	3001-001126		SPEAKER -, 150 ohm, 90dB, -	
3	GH31-00003A		MOTOR-SCH990 SCH-990, 3.0 V, -, 10-55HZ, -, -	
1	GH97-01484A		MEA REAR-COVER SGH-A100, -, GERM, D/GRY, -, -, -	
2	GH71-00076A		NPR-ANT.BUSHING SGH-A100, ZN GOLD PLT, -, AU(24K)	
2	GH71-00172A		NPR-SHIELD PLATE(A) SGH-A100, C5210TS, T0.1, AU	
2	GH71-10639A		NPR-SHIELD STRIP(A) SCH-1100, C1720S-1/2H, T0.1,	
2	GH71-10640A		NPR-SHIELD STRIP(B) SCH-1100, C1720S-1/2H, T0.1,	
2	GH71-10643A		NPR-SHIELD STRIP(D) SCH-1100, C1720S-1/2H, T0.1,	
2	GH71-10651A		NPR-SHIELD STRIP(E) SCH-550, KS D5202, T0.1,	
2	GH74-00638A		MPR-SHIELD SPONGE(D) SGH-A100, -, 9X13XT3, SIL, -	
2	GH75-00320A		MEC-SUA.REAR COVER SGH-A100, -, D/GRY	
3	GH68-00640A		LABEL(R)-R.F SHEET SGH-A100, PC SHEET, -, T0.2,	
3	GH70-00006A		IPR-SIM SPRING SGH-2200, STEEL, -, -	
3	GH70-00021A		IPR-SPRING LOCKER SCH-A100, STS304, T3.3, -	
3	GH72-00299A		PMO-LOCKER SCH-A100, PC, GRY, -, G5295	
3	GH72-00512A		PMO-REAR COVER SGH-A100, PC, D/GRY, -, -	
3	GH72-00513A		PMO-SIM LOCKER SGH-A100, PC, D/GRY, -, -	
3	GH72-00514A		PMO-IRDA WINDOW SGH-A100, PC, VIO, -, -	
3	GH73-00157A		RMO-EARPHONE COVER SGH-A100, URETHAN, -,	
1	GH99-02189A		PAA MAIN-SGH2300 SGH-A100, -, GERM, -, -, -, -	

Level	SEC CODE	Design LOC	DESCRIPTIONS	Remark
2	GG68-10705A		LABEL(P)-SEAL SP-R912, CRP, 65.0x95.0, -, ORG	
2	GH68-00518A		LABEL(P)-SEAL LABEL(VOD) SGH-600, ART PAPER,	
2	GH68-00619A		LABEL(R)-MAIN SGH-A100, MAT, 46.5X36, T0.05, SIL	
2	GH68-11057A		LABEL(P)-MS BAR CODE SCH-1900, ART, 100X155, T0.1,	
2	GH68-11067A		LABEL(P)-BAR CODE SCH-300S, ART, 65X13, 100G, WHT	
2	GH69-00421A		CUSHION-PULP MOLD CASE SGH-A100, -, 186X126X57.5	
2	GH69-00422A		CUSHION-PULP MOLD COVER SGH-A100, PULP,	
2	GH69-00449A		BOX(P)-JEWEL PRESS PS -, SGH-A100, PRESS+PS,	
2	GH69-00470A		BOX(P)-CARTON MAIN GERM, SGH-A100, SW3,	
2	GH69-00472A		BOX(P)-UNIT MAIN GERM, SGH-A100, ST240G+E(KOL),	
2	GH69-30503A		BAG-STD BATT. PE, T0.06, 70X170, SCH-1011	
1	GH42-00042A		ANT. ANTENNA-SGHA100 SGH-A100, 880-915/925-	
2	3002-001062	AU1	BUZZER-MAGNETIC 88dB, 3.6 V, 90mA, 2.731KHz, TP	
1	4302-001081	BACKUP BAT.	BATTERY-LI(2ND) -, .25MAH, COIN, 0.03MA, -, -	
2	4302-001081	BAT1	BATTERY-LI(2ND) -, .25MAH, COIN, 0.03MA, -, -	
1	GH43-00155A	BATT.	BATTERY-915M, GLD, ENG, MAIN 3.6 V, 915mA, -, -, -	
1	GH43-00199A	BATT.	BATTERY-540M, GLD, ENG, MAIN 3.7 V, 540mA, -, -	
2	2203-005509	C101	C-CERAMIC, CHIP 330nF, +80-20 %, 10 V, Y5 V, TP, 1005	
2	2404-001105	C102	C-TA, CHIP 10 UF, 20 %, 6.3 V, GP, TP, 2012	
2	2203-000359	C103	C-CERAMIC, CHIP 0.15nF, 5 %, 50 V, NP0, TP, 1005	
2	2203-001432	C104	C-CERAMIC, CHIP 47nF, +80-20 %, 16 V, Y5 V, TP, 1005	
2	2203-005509	C105	C-CERAMIC, CHIP 330nF, +80-20 %, 10 V, Y5 V, TP, 1005	
2	2203-000359	C106	C-CERAMIC, CHIP 0.15nF, 5 %, 50 V, NP0, TP, 1005	
2	2203-001432	C107	C-CERAMIC, CHIP 47nF, +80-20 %, 16 V, Y5 V, TP, 1005	
2	2203-000233	C108	C-CERAMIC, CHIP 0.1nF, 5 %, 50 V, NP0, TP, 1005	
2	2404-001100	C111	C-TA, CHIP 33 uF, 20 %, 6.3 V, GP, TP, 3719, -	
2	2203-001432	C112	C-CERAMIC, CHIP 47nF, +80-20 %, 16 V, Y5 V, TP, 1005	
2	2203-000278	C113	C-CERAMIC, CHIP 0.01nF, 0.5pF, 50 V, NP0, TP, 1005	
2	2203-005158	C114	C-CERAMIC, CHIP 0.0022nF, 0.25pF, 50 V, NP0, TP, 1005	
2	2203-002443	C115	C-CERAMIC, CHIP 0.33nF, 10 %, 50 V, X7R, TP, 1005	
2	2203-001432	C116	C-CERAMIC, CHIP 47nF, +80-20 %, 16 V, Y5 V, TP, 1005	
2	2203-000330	C117	C-CERAMIC, CHIP 0.012nF, 5 %, 50 V, NP0, TP, 1005	
2	2203-001432	C119	C-CERAMIC, CHIP 47nF, +80-20 %, 16 V, Y5 V, TP, 1005	
2	2203-001432	C122	C-CERAMIC, CHIP 47nF, +80-20 %, 16 V, Y5 V, TP, 1005	
2	2203-001432	C123	C-CERAMIC, CHIP 47nF, +80-20 %, 16 V, Y5 V, TP, 1005	

Electrical Parts List

Level	SEC CODE	Design LOC	DESCRIPTIONS	Remark
2	2203-001432	C126	C-CERAMIC, CHIP 47nF, +80-20 %, 16 V, Y5 V, TP, 1005	
2	2203-001432	C127	C-CERAMIC, CHIP 47nF, +80-20 %, 16 V, Y5 V, TP, 1005	
2	2203-000359	C128	C-CERAMIC, CHIP 0.15nF, 5 %, 50 V, NP0, TP, 1005	
2	2203-001432	C129	C-CERAMIC, CHIP 47nF, +80-20 %, 16 V, Y5 V, TP, 1005	
2	2203-005509	C130	C-CERAMIC, CHIP 330nF, +80-20 %, 10 V, Y5 V, TP, 1005	
2	2404-001100	C131	C-TA, CHIP 33 uF, 20 %, 6.3 V, GP, TP, 3719, -	
2	2203-001432	C135	C-CERAMIC, CHIP 47nF, +80-20 %, 16 V, Y5 V, TP, 1005	
2	2203-000278	C136	C-CERAMIC, CHIP 0.01nF, 0.5pF, 50 V, NP0, TP, 1005	
2	2203-000278	C137	C-CERAMIC, CHIP 0.01nF, 0.5pF, 50 V, NP0, TP, 1005	
2	2203-000359	C201	C-CERAMIC, CHIP 0.15nF, 5 %, 50 V, NP0, TP, 1005	
2	2203-005509	C202	C-CERAMIC, CHIP 330nF, +80-20 %, 10 V, Y5 V, TP, 1005	
2	2203-000359	C203	C-CERAMIC, CHIP 0.15nF, 5 %, 50 V, NP0, TP, 1005	
2	2203-005509	C204	C-CERAMIC, CHIP 330nF, +80-20 %, 10 V, Y5 V, TP, 1005	
2	2203-005509	C205	C-CERAMIC, CHIP 330nF, +80-20 %, 10 V, Y5 V, TP, 1005	
2	2203-000359	C206	C-CERAMIC, CHIP 0.15nF, 5 %, 50 V, NP0, TP, 1005	
2	2203-005509	C207	C-CERAMIC, CHIP 330nF, +80-20 %, 10 V, Y5 V, TP, 1005	
2	2203-005065	C208	C-CERAMIC, CHIP 1000nF, +80-20 %, 10 V, Y5 V, TP, 1608	
2	2203-005509	C209	C-CERAMIC, CHIP 330nF, +80-20 %, 10 V, Y5 V, TP, 1005	
2	2203-000359	C210	C-CERAMIC, CHIP 0.15nF, 5 %, 50 V, NP0, TP, 1005	
2	2203-000679	C212	C-CERAMIC, CHIP 0.027nF, 5 %, 50 V, NP0, TP, 1005	
2	2203-000679	C213	C-CERAMIC, CHIP 0.027nF, 5 %, 50 V, NP0, TP, 1005	
2	2203-005061	C250	C-CERAMIC, CHIP 100nF, +80-20 %, 16 V, Y5 V, TP, 1005	
2	2203-000233	C301	C-CERAMIC, CHIP 0.1nF, 5 %, 50 V, NP0, TP, 1005	
2	2203-000233	C302	C-CERAMIC, CHIP 0.1nF, 5 %, 50 V, NP0, TP, 1005	
2	2203-005446	C303	C-CERAMIC, CHIP 0.0027nF, 0.1pF, 50 V, NP0, TP, 1005	
2	2203-005446	C304	C-CERAMIC, CHIP 0.0027nF, 0.1pF, 50 V, NP0, TP, 1005	
2	2203-000233	C306	C-CERAMIC, CHIP 0.1nF, 5 %, 50 V, NP0, TP, 1005	
2	2203-000233	C307	C-CERAMIC, CHIP 0.1nF, 5 %, 50 V, NP0, TP, 1005	
2	2203-000425	C308	C-CERAMIC, CHIP 0.018nF, 5 %, 50 V, NP0, TP, 1005	
2	2203-000628	C309	C-CERAMIC, CHIP 0.022nF, 5 %, 50 V, NP0, TP, 1005	
2	2203-000836	C310	C-CERAMIC, CHIP 390pF, 10 %, 50 V, X7R, TP, 1005, -	
2	2203-000812	C311	C-CERAMIC, CHIP 0.033nF, 5 %, 50 V, NP0, TP, 1005	
2	2203-000940	C312	C-CERAMIC, CHIP 470pF, 10 %, 50 V, X7R, TP, 1005, -	
2	2203-000812	C313	C-CERAMIC, CHIP 0.033nF, 5 %, 50 V, NP0, TP, 1005	
2	2203-000812	C314	C-CERAMIC, CHIP 0.033nF, 5 %, 50 V, NP0, TP, 1005	

Level	SEC CODE	Design LOC	DESCRIPTIONS	Remark
2	2301-001230	C315	C-FILM, CHIP 10nF, 5 %, 16 V, TP, 2012, -	
2	2203-000386	C316	C-CERAMIC, CHIP 0.015nF, 5 %, 50 V, NP0, TP, 1005	
2	2203-000254	C317	C-CERAMIC, CHIP 10nF, 10 %, 16 V, X7R, TP, 1005, -	
2	2203-000438	C318	C-CERAMIC, CHIP 1nF, 10 %, 50 V, X7R, TP, 1005, -	
2	2404-001105	C319	C-TA, CHIP 10 UF, 20 %, 6.3 V, GP, TP, 2012	
2	2203-000812	C321	C-CERAMIC, CHIP 0.033nF, 5 %, 50 V, NP0, TP, 1005	
2	2203-000254	C324	C-CERAMIC, CHIP 10nF, 10 %, 16 V, X7R, TP, 1005, -	
2	2203-001239	C325	C-CERAMIC, CHIP 0.082nF, 5 %, 50 V, NP0, TP, 1005	
2	2203-000233	C326	C-CERAMIC, CHIP 0.1nF, 5 %, 50 V, NP0, TP, 1005	
2	2203-000254	C327	C-CERAMIC, CHIP 10nF, 10 %, 16 V, X7R, TP, 1005, -	
2	2203-000254	C328	C-CERAMIC, CHIP 10nF, 10 %, 16 V, X7R, TP, 1005, -	
2	2203-000233	C329	C-CERAMIC, CHIP 0.1nF, 5 %, 50 V, NP0, TP, 1005	
2	2203-000311	C330	C-CERAMIC, CHIP 0.12nF, 5 %, 50 V, NP0, TP, 1005	
2	2203-000311	C331	C-CERAMIC, CHIP 0.12nF, 5 %, 50 V, NP0, TP, 1005	
2	2203-005158	C332	C-CERAMIC, CHIP 0.0022nF, 0.25pF, 50 V, NP0, TP, 1005	
2	2203-000812	C333	C-CERAMIC, CHIP 0.033nF, 5 %, 50 V, NP0, TP, 1005	
2	2404-001088	C334	C-TA, CHIP 2.2 uF, 20 %, 6.3 V, GP, TP, 2012, -	
2	2203-005158	C337	C-CERAMIC, CHIP 0.0022nF, 0.25pF, 50 V, NP0, TP, 1005	
2	2404-001099	C338	C-TA, CHIP 68 uF, 20 %, 6.3 V, GP, TP, 4035, -	
2	2404-001088	C339	C-TA, CHIP 2.2 uF, 20 %, 6.3 V, GP, TP, 2012, -	
2	2203-000836	C342	C-CERAMIC, CHIP 390pF, 10 %, 50 V, X7R, TP, 1005, -	
2	2203-000940	C343	C-CERAMIC, CHIP 470pF, 10 %, 50 V, X7R, TP, 1005, -	
2	2203-001017	C344	C-CERAMIC, CHIP 0.004nF, 0.25pF, 50 V, NP0, TP, 1005	
2	2301-001230	C346	C-FILM, CHIP 10nF, 5 %, 16 V, TP, 2012, -	
2	2203-001017	C347	C-CERAMIC, CHIP 0.004nF, 0.25pF, 50 V, NP0, TP, 1005	
2	2203-000425	C348	C-CERAMIC, CHIP 0.018nF, 5 %, 50 V, NP0, TP, 1005	
2	2203-000438	C349	C-CERAMIC, CHIP 1nF, 10 %, 50 V, X7R, TP, 1005, -	
2	2203-000330	C350	C-CERAMIC, CHIP 0.012nF, 5 %, 50 V, NP0, TP, 1005	
2	2203-000812	C351	C-CERAMIC, CHIP 0.033nF, 5 %, 50 V, NP0, TP, 1005	
2	2203-005061	C352	C-CERAMIC, CHIP 100nF, +80-20 %, 16 V, Y5 V, TP, 1005	
2	2203-002443	C354	C-CERAMIC, CHIP 0.33nF, 10 %, 50 V, X7R, TP, 1005	
2	2203-000254	C401	C-CERAMIC, CHIP 10nF, 10 %, 16 V, X7R, TP, 1005, -	
2	2203-000233	C402	C-CERAMIC, CHIP 0.1nF, 5 %, 50 V, NP0, TP, 1005	
2	2203-000359	C403	C-CERAMIC, CHIP 0.15nF, 5 %, 50 V, NP0, TP, 1005	
2	2203-005065	C404	C-CERAMIC, CHIP 1000nF, +80-20 %, 10 V, Y5 V, TP, 1608	

Electrical Parts List

Level	SEC CODE	Design LOC	DESCRIPTIONS	Remark
2	2203-000359	C405	C-CERAMIC, CHIP 0.15nF, 5 %, 50 V, NP0, TP, 1005	
2	2203-005065	C406	C-CERAMIC, CHIP 1000nF, +80-20 %, 10 V, Y5 V, TP, 1608	
2	2404-001100	C407	C-TA, CHIP 33 uF, 20 %, 6.3 V, GP, TP, 3719, -	
2	2203-005509	C408	C-CERAMIC, CHIP 330nF, +80-20 %, 10 V, Y5 V, TP, 1005	
2	2203-005065	C409	C-CERAMIC, CHIP 1000nF, +80-20 %, 10 V, Y5 V, TP, 1608	
2	2203-005562	C410	C-CERAMIC, CHIP 10000nF, +80-20 %, 10 V, Y5 V, TP,	
2	2203-005509	C411	C-CERAMIC, CHIP 330nF, +80-20 %, 10 V, Y5 V, TP, 1005	
2	2203-005509	C412	C-CERAMIC, CHIP 330nF, +80-20 %, 10 V, Y5 V, TP, 1005	
2	2203-005065	C413	C-CERAMIC, CHIP 1000nF, +80-20 %, 10 V, Y5 V, TP, 1608	
2	2404-001100	C414	C-TA, CHIP 33 uF, 20 %, 6.3 V, GP, TP, 3719, -	
2	2203-000628	C420	C-CERAMIC, CHIP 0.022nF, 5 %, 50 V, NP0, TP, 1005	
2	2203-005065	C421	C-CERAMIC, CHIP 1000nF, +80-20 %, 10 V, Y5 V, TP, 1608	
2	2404-001083	C422	C-TA, CHIP 220 uF, 20 %, 6.3 V, LZ, TP, 7132	
2	2203-000995	C423	C-CERAMIC, CHIP 0.047nF, 5 %, 50 V, NP0, TP, 1005	
2	2203-000812	C424	C-CERAMIC, CHIP 0.033nF, 5 %, 50 V, NP0, TP, 1005	
2	2203-000812	C425	C-CERAMIC, CHIP 0.033nF, 5 %, 50 V, NP0, TP, 1005	
2	2404-001099	C427	C-TA, CHIP 68 uF, 20 %, 6.3 V, GP, TP, 4035, -	
2	2203-000812	C501	C-CERAMIC, CHIP 0.033nF, 5 %, 50 V, NP0, TP, 1005	
2	2203-000812	C502	C-CERAMIC, CHIP 0.033nF, 5 %, 50 V, NP0, TP, 1005	
2	2203-001432	C505	C-CERAMIC, CHIP 47nF, +80-20 %, 16 V, Y5 V, TP, 1005	
2	2203-000628	C506	C-CERAMIC, CHIP 0.022nF, 5 %, 50 V, NP0, TP, 1005	
2	2203-000233	C510	C-CERAMIC, CHIP 0.1nF, 5 %, 50 V, NP0, TP, 1005	
2	2404-001088	C511	C-TA, CHIP 2.2 uF, 20 %, 6.3 V, GP, TP, 2012, -	
2	2203-000628	C512	C-CERAMIC, CHIP 0.022nF, 5 %, 50 V, NP0, TP, 1005	
2	2203-000995	C515	C-CERAMIC, CHIP 0.047nF, 5 %, 50 V, NP0, TP, 1005	
2	2203-000278	C516	C-CERAMIC, CHIP 0.01nF, 0.5pF, 50 V, NP0, TP, 1005	
2	2203-000628	C519	C-CERAMIC, CHIP 0.022nF, 5 %, 50 V, NP0, TP, 1005	
2	2203-005395	C520	C-CERAMIC, CHIP 0.0047nF, 0.1pF, 50 V, NP0, TP, 1005	
2	2203-001385	C523	C-CERAMIC, CHIP 0.0015nF, 0.25pF, 50 V, NP0, TP, 1005	
2	2703-001798	C524	INDUCTOR-SMD 2.2 NH, 0.3 NH, 1.0X0.5X0.5MM	
2	2203-000696	C525	C-CERAMIC, CHIP 0.002nF, 0.25pF, 50 V, NP0, TP, 1005	
2	2203-000628	C526	C-CERAMIC, CHIP 0.022nF, 5 %, 50 V, NP0, TP, 1005	
2	2203-000438	C527	C-CERAMIC, CHIP 1nF, 10 %, 50 V, X7R, TP, 1005, -	
2	2203-000628	C528	C-CERAMIC, CHIP 0.022nF, 5 %, 50 V, NP0, TP, 1005	
2	2203-000489	C529	C-CERAMIC, CHIP 2.2nF, 10 %, 50 V, X7R, TP, 1005, -	

Level	SEC CODE	Design LOC	DESCRIPTIONS	Remark
2	2203-005509	C531	C-CERAMIC, CHIP 330nF, +80-20 %, 10 V, Y5 V, TP, 1005	
2	2203-005509	C532	C-CERAMIC, CHIP 330nF, +80-20 %, 10 V, Y5 V, TP, 1005	
2	2203-000138	C533	C-CERAMIC, CHIP 1.5nF, 10 %, 50 V, X7R, TP, 1005, -	
2	2203-005509	C534	C-CERAMIC, CHIP 330nF, +80-20 %, 10 V, Y5 V, TP, 1005	
2	2203-001153	C535	C-CERAMIC, CHIP 0.068nF, 5 %, 50 V, NP0, TP, 1005	
2	2203-000995	C536	C-CERAMIC, CHIP 0.047nF, 5 %, 50 V, NP0, TP, 1005	
2	2203-001153	C537	C-CERAMIC, CHIP 0.068nF, 5 %, 50 V, NP0, TP, 1005	
2	2203-000812	C539	C-CERAMIC, CHIP 0.033nF, 5 %, 50 V, NP0, TP, 1005	
2	2203-000254	C541	C-CERAMIC, CHIP 10nF, 10 %, 16 V, X7R, TP, 1005, -	
2	2203-000254	C542	C-CERAMIC, CHIP 10nF, 10 %, 16 V, X7R, TP, 1005, -	
2	2203-000812	C543	C-CERAMIC, CHIP 0.033nF, 5 %, 50 V, NP0, TP, 1005	
2	2203-000233	C544	C-CERAMIC, CHIP 0.1nF, 5 %, 50 V, NP0, TP, 1005	
2	2203-000812	C545	C-CERAMIC, CHIP 0.033nF, 5 %, 50 V, NP0, TP, 1005	
2	2203-000438	C546	C-CERAMIC, CHIP 1nF, 10 %, 50 V, X7R, TP, 1005, -	
2	2203-000812	C547	C-CERAMIC, CHIP 0.033nF, 5 %, 50 V, NP0, TP, 1005	
2	2203-000278	C548	C-CERAMIC, CHIP 0.01nF, 0.5pF, 50 V, NP0, TP, 1005	
2	2203-000995	C549	C-CERAMIC, CHIP 0.047nF, 5 %, 50 V, NP0, TP, 1005	
2	2203-000254	C550	C-CERAMIC, CHIP 10nF, 10 %, 16 V, X7R, TP, 1005, -	
2	2203-000725	C551	C-CERAMIC, CHIP 3.9nF, 10 %, 50 V, X7R, TP, 1005, -	
2	2203-000696	C552	C-CERAMIC, CHIP 0.002nF, 0.25pF, 50 V, NP0, TP, 1005	
2	2404-001100	C553	C-TA, CHIP 33 uF, 20 %, 6.3 V, GP, TP, 3719, -	
2	2203-002759	C554	C-CERAMIC, CHIP 15nF, +80-20 %, 50 V, Y5 V, TP, 1005, -	
2	2203-000628	C555	C-CERAMIC, CHIP 0.022nF, 5 %, 50 V, NP0, TP, 1005	
2	2203-001405	C557	C-CERAMIC, CHIP 22nF, +80-20 %, 25 V, Y5 V, TP, 1005	
2	2203-000466	C558	C-CERAMIC, CHIP 0.001nF, 0.25pF, 50 V, NP0, TP, 1005	
2	2404-001100	C559	C-TA, CHIP 33 uF, 20 %, 6.3 V, GP, TP, 3719, -	
2	2203-000233	C560	C-CERAMIC, CHIP 0.1nF, 5 %, 50 V, NP0, TP, 1005	
2	2203-000233	C561	C-CERAMIC, CHIP 0.1nF, 5 %, 50 V, NP0, TP, 1005	
2	2203-000233	C562	C-CERAMIC, CHIP 0.1nF, 5 %, 50 V, NP0, TP, 1005	
2	2203-000233	C563	C-CERAMIC, CHIP 0.1nF, 5 %, 50 V, NP0, TP, 1005	
2	2203-000812	C564	C-CERAMIC, CHIP 0.033nF, 5 %, 50 V, NP0, TP, 1005	
2	2203-000233	C565	C-CERAMIC, CHIP 0.1nF, 5 %, 50 V, NP0, TP, 1005	
2	2203-000233	C569	C-CERAMIC, CHIP 0.1nF, 5 %, 50 V, NP0, TP, 1005	
2	2203-000466	C570	C-CERAMIC, CHIP 0.001nF, 0.25pF, 50 V, NP0, TP, 1005	
2	2203-000466	C571	C-CERAMIC, CHIP 0.001nF, 0.25pF, 50 V, NP0, TP, 1005	

Electrical Parts List

Level	SEC CODE	Design LOC	DESCRIPTIONS	Remark
2	2203-001383	C572	C-CERAMIC, CHIP 0.0005nF, 0.25pF, 50 V, NP0, TP, 1005	
2	2203-005065	C573	C-CERAMIC, CHIP 1000nF, +80-20 %, 10 V, Y5 V, TP, 1608	
2	2203-000254	C600	C-CERAMIC, CHIP 10nF, 10 %, 16 V, X7R, TP, 1005, -	
2	2404-001100	C604	C-TA, CHIP 33 uF, 20 %, 6.3 V, GP, TP, 3719, -	
2	2203-005065	C606	C-CERAMIC, CHIP 1000nF, +80-20 %, 10 V, Y5 V, TP, 1608	
2	2203-005065	C607	C-CERAMIC, CHIP 1000nF, +80-20 %, 10 V, Y5 V, TP, 1608	
2	2203-000812	C608	C-CERAMIC, CHIP 0.033nF, 5 %, 50 V, NP0, TP, 1005	
2	2203-005065	C610	C-CERAMIC, CHIP 1000nF, +80-20 %, 10 V, Y5 V, TP, 1608	
2	2203-005061	C611	C-CERAMIC, CHIP 100nF, +80-20 %, 16 V, Y5 V, TP, 1005	
2	2203-005061	C612	C-CERAMIC, CHIP 100nF, +80-20 %, 16 V, Y5 V, TP, 1005	
2	2203-005065	C613	C-CERAMIC, CHIP 1000nF, +80-20 %, 10 V, Y5 V, TP, 1608	
2	2203-005061	C615	C-CERAMIC, CHIP 100nF, +80-20 %, 16 V, Y5 V, TP, 1005	
2	2203-005061	C616	C-CERAMIC, CHIP 100nF, +80-20 %, 16 V, Y5 V, TP, 1005	
2	2203-005065	C617	C-CERAMIC, CHIP 1000nF, +80-20 %, 10 V, Y5 V, TP, 1608	
2	2203-005583	C618	C-CERAMIC, CHIP 10000nF, +80-20 %, 16 V, Y5 V, TP,	
2	2404-001100	C619	C-TA, CHIP 33 uF, 20 %, 6.3 V, GP, TP, 3719, -	
2	2404-001020	C620	C-TA, CHIP 10 uF, 20 %, 10 V, GP, TP, 3216, 3.2	
2	2203-005682	C624	C-CERAMIC, CHIP 0.033nF, 5 %, 25 V, NP0, TP, 0603	
2	2203-005683	C625	C-CERAMIC, CHIP 0.008nF, 0.5pF, 25 V, NP0, TP, 0603	
2	2203-005682	C626	C-CERAMIC, CHIP 0.033nF, 5 %, 25 V, NP0, TP, 0603	
2	2203-005683	C628	C-CERAMIC, CHIP 0.008nF, 0.5pF, 25 V, NP0, TP, 0603	
2	2203-005683	C629	C-CERAMIC, CHIP 0.008nF, 0.5pF, 25 V, NP0, TP, 0603	
2	2203-005683	C630	C-CERAMIC, CHIP 0.008nF, 0.5pF, 25 V, NP0, TP, 0603	
2	2203-005682	C631	C-CERAMIC, CHIP 0.033nF, 5 %, 25 V, NP0, TP, 0603	
2	2203-005683	C632	C-CERAMIC, CHIP 0.008nF, 0.5pF, 25 V, NP0, TP, 0603	
2	2203-005683	C633	C-CERAMIC, CHIP 0.008nF, 0.5pF, 25 V, NP0, TP, 0603	
2	2203-005683	C634	C-CERAMIC, CHIP 0.008nF, 0.5pF, 25 V, NP0, TP, 0603	
2	2203-005683	C635	C-CERAMIC, CHIP 0.008nF, 0.5pF, 25 V, NP0, TP, 0603	
2	2203-005683	C636	C-CERAMIC, CHIP 0.008nF, 0.5pF, 25 V, NP0, TP, 0603	
2	2203-005683	C637	C-CERAMIC, CHIP 0.008nF, 0.5pF, 25 V, NP0, TP, 0603	
2	2203-005683	C638	C-CERAMIC, CHIP 0.008nF, 0.5pF, 25 V, NP0, TP, 0603	
2	2203-005683	C639	C-CERAMIC, CHIP 0.008nF, 0.5pF, 25 V, NP0, TP, 0603	
2	2203-005682	C640	C-CERAMIC, CHIP 0.033nF, 5 %, 25 V, NP0, TP, 0603	
2	2203-005683	C643	C-CERAMIC, CHIP 0.008nF, 0.5pF, 25 V, NP0, TP, 0603	
2	2203-000812	C644	C-CERAMIC, CHIP 0.033nF, 5 %, 50 V, NP0, TP, 1005	

Level	SEC CODE	Design LOC	DESCRIPTIONS	Remark
2	2203-000812	C645	C-CERAMIC, CHIP 0.033nF, 5 %, 50 V, NP0, TP, 1005	
2	2203-000812	C646	C-CERAMIC, CHIP 0.033nF, 5 %, 50 V, NP0, TP, 1005	
2	2203-000812	C647	C-CERAMIC, CHIP 0.033nF, 5 %, 50 V, NP0, TP, 1005	
2	2203-005682	C650	C-CERAMIC, CHIP 0.033nF, 5 %, 25 V, NP0, TP, 0603	
2	2203-005367	C652	C-CERAMIC, CHIP 6800nF, +80-20 %, 25 V, Y5 V, TP, 3225	
2	2203-000254	C655	C-CERAMIC, CHIP 10nF, 10 %, 16 V, X7R, TP, 1005, -	
2	2203-000812	C657	C-CERAMIC, CHIP 0.033nF, 5 %, 50 V, NP0, TP, 1005	
2	2203-000812	C658	C-CERAMIC, CHIP 0.033nF, 5 %, 50 V, NP0, TP, 1005	
2	3709-001137	CN401	CONNECTOR-CARD EDGE 6P, 2.54MM, SMD-S, AU15U	
2	3705-001163	CN501	CONNECTOR-COAXIAL SMC, JACK, 100 Mohm, 50 ohm,	
2	3710-001547	CN601	CONNECTOR-SOCKET 14P, 1R, 1MM, SMD-A, AU15U	
2	3711-004419	CN602	CONNECTOR-HEADER BOX, 30P, 2R, 0.5mm, SMD-S,	
2	3708-001396	CN603	CONNECTOR-FPC/FC/PIC 22P, 0.5MM, SMD-A, SN	
2	3722-001172	CN604	JACK-AC POWER 2P, 2.6PI, AU, BLK, NO	
2	0401-001033	D201	DIODE-SWITCHING MCL4154, 25 V, 200mA, M-MELF, TP	
2	0405-001057	D301	DIODE-VARACTOR SMV1234-004, 15 V, 50NA, SOT-23, TP	
2	0407-001002	D501	DIODE-ARRAY DAN222, 80 V, 300mA, CA2-3, EM3, TP	
2	0407-000115	D602	DIODE-ARRAY DAN202U, 80 V, 100mA, CA2-3, SC-70,	
2	0407-001006	D603	DIODE-ARRAY DA221, 20 V, 100mA, C2-3, EM3, TR	
2	2904-001165	F301	FILTER-SAW 400MHZ, .28MHZ, +-70KHZ, TP, 6.5DB, -	
2	2903-001211	F302	FILTER-CERAMIC BP, 14.6MHz, 300KHz, 6dB, 1dB, TP, -	
2	2904-001124	F501	FILTER-SAW 947.5MHz, 25MHz, +-12.5MHz/1.4dB, TP,	
2	2904-001096	F502	FILTER-SAW 1.8425GHz, 75MHz, +-37.5MHz/2.5dB, TP,	
2	GH59-00018A	KEY MODULE	UNIT-SGH2300 KEA PAD SGH-2300, HUUW9512-010010, -,	
2	2703-000310	L101	INDUCTOR-SMD 1.8 uH, 10 %, 0.8x1.6x0.8mm	
2	2703-001543	L303	INDUCTOR-SMD 33 nH, 5 %, 1.8x1.12x1.02mm	
2	2703-001543	L304	INDUCTOR-SMD 33 nH, 5 %, 1.8x1.12x1.02mm	
2	2703-001545	L307	INDUCTOR-SMD 47 nH, 5 %, 1.8x1.12x1.02mm	
2	2703-001600	L308	INDUCTOR-SMD 6.8 nH, 10 %, 1.6x0.8x0.8mm	
2	2703-001600	L309	INDUCTOR-SMD 6.8 nH, 10 %, 1.6x0.8x0.8mm	
2	2703-001600	L310	INDUCTOR-SMD 6.8 nH, 10 %, 1.6x0.8x0.8mm	
2	2703-001600	L311	INDUCTOR-SMD 6.8 nH, 10 %, 1.6x0.8x0.8mm	
2	2703-001232	L313	INDUCTOR-SMD 1.5 uH, 10 %, 1.6x0.8x0.8mm	
2	2703-001547	L314	INDUCTOR-SMD 10 nH, 5 %, 1.8x1.12x1.02mm	
2	2703-001547	L315	INDUCTOR-SMD 10 nH, 5 %, 1.8x1.12x1.02mm	

Electrical Parts List

Level	SEC CODE	Design LOC	DESCRIPTIONS	Remark
2	2703-001297	L316	INDUCTOR-SMD 10 nH, 10 %, 1.6x0.8x0.8mm	
2	2703-001854	L401	INDUCTOR-SMD 22 uH, 20 %, 4.8X4.8X1.8MM	
2	2703-001595	L402	INDUCTOR-SMD 47 nH, 5 %, 1.0x0.5x0.5mm	
2	3301-001208	L403	CORE-FERRITE BEAD AB, 1.6x0.8x0.8mm, -, -	
2	2703-001297	L502	INDUCTOR-SMD 10 nH, 10 %, 1.6x0.8x0.8mm	
2	2703-001172	L503	INDUCTOR-SMD 100 nH, 5 %, 1.6x0.8x0.8mm	
2	2703-001172	L504	INDUCTOR-SMD 100 nH, 5 %, 1.6x0.8x0.8mm	
2	2703-001708	L505	INDUCTOR-SMD 5.6 nH, 10 %, 1.0x0.5x0.5mm	
2	2703-001207	L506	INDUCTOR-SMD 6.8 nH, 5 %, 1.6x0.8X0.8mm	
2	2703-001206	L509	INDUCTOR-SMD 4.7 nH, 0.3 nH, 1.6x0.8X0.8mm	
2	2703-001513	L510	INDUCTOR-SMD 100 nH, 5 %, 1.8x1.12x1.02mm	
2	2703-001513	L511	INDUCTOR-SMD 100 nH, 5 %, 1.8x1.12x1.02mm	
2	2703-001798	L512	INDUCTOR-SMD 2.2 nH, 0.3 NH, 1.0X0.5X0.5MM	
2	2703-001853	L601	INDUCTOR-SMD 10 uH, 20 %, 6X6X1.8MM	
2	2007-001292	L605	R-CHIP 33 ohm, 5 %, 1/16 W, DA, TP, 1005	
2	2703-000175	L606	INDUCTOR-SMD 270 nH, 10 %, 0.8x1.6x0.8mm	
2	3301-001208	L607	CORE-FERRITE BEAD AB, 1.6x0.8x0.8mm, -, -	
2	3301-001208	L608	CORE-FERRITE BEAD AB, 1.6x0.8x0.8mm, -, -	
2	GH96-00808A	LCD ASS'Y	ELA ETC-SGH2300 LCD SGH-2300, -, -, LCD MODULE, -,	
2	0604-001146	LED2	PHOTO-IRDA -, 875NM, 500M W, 30DEG, TP	
1	3003-001041	MIC	MIC-CONDENSOR 2 V, 0.5mA, -40dB+-3dB, 2.2Kohm	
2	2801-003695	OSC101	CRYSTAL-SMD 19.5MHz, 10ppm, 28-ABK, 10.2pF, 20	
2	2801-003747	OSC201	CRYSTAL-SMD .032768MHZ, 30PPM, 28-ACM, 9PF,	
2	2806-001191	OSC301	OSCILLATOR-VCO 1258-1360MHZ, -, 50 ohm, TP, 2.7 V,	
2	GH41-00047A	PCB	PCB-SGHA100 SGH-A100, FR-4, -, 0.8T, 90.3X117.8	
2	0505-001237	Q401	FET-SILICON MGSF3442 V, N, 20 V, 4A, 0.07 ohm, 2 W,	
2	0501-002202	Q406	TR-SMALL SIGNAL MMBT2222AWT1, NPN, 150m W,	
2	0504-001012	Q501	TR-DIGITAL DTC114YE, NPN, 150M W, 10K/47K, EMT3, TP	
2	0504-001012	Q502	TR-DIGITAL DTC114YE, NPN, 150M W, 10K/47K, EMT3, TP	
2	0504-001012	Q503	TR-DIGITAL DTC114YE, NPN, 150M W, 10K/47K, EMT3, TP	
2	0504-000168	Q605	TR-DIGITAL RN1104, NPN, 100M W, 47K/47K, SSM, TP	
2	0504-000168	Q606	TR-DIGITAL RN1104, NPN, 100M W, 47K/47K, SSM, TP	
2	0504-000168	Q607	TR-DIGITAL RN1104, NPN, 100M W, 47K/47K, SSM, TP	
2	0501-002202	Q608	TR-SMALL SIGNAL MMBT2222AWT1, NPN, 150m W,	
2	0504-000168	Q609	TR-DIGITAL RN1104, NPN, 100M W, 47K/47K, SSM, TP	

Level	SEC CODE	Design LOC	DESCRIPTIONS	Remark
2	2007-000172	R101	R-CHIP 10 ohm, 5 %, 1/16 W, DA, TP, 1005	
2	2007-000140	R102	R-CHIP 1 kohm, 5 %, 1/16 W, DA, TP, 1005	
2	2007-007197	R103	R-CHIP 3.3 ohm, 5 %, 1/16 W, DA, TP, 1005	
2	2007-007197	R104	R-CHIP 3.3 ohm, 5 %, 1/16 W, DA, TP, 1005	
2	2007-000140	R105	R-CHIP 1 kohm, 5 %, 1/16 W, DA, TP, 1005	
2	2007-007468	R106	R-CHIP 121 kohm, 1 %, 1/16 W, DA, TP, 1005	
2	2007-007092	R107	R-CHIP 1.1 kohm, 5 %, 1/16 W, DA, TP, 1005	
2	2007-000140	R108	R-CHIP 1 kohm, 5 %, 1/16 W, DA, TP, 1005	
2	2007-007771	R110	R-CHIP 0 ohm, 5 %, 1/16 W, DA, TP, 1005	
2	2007-007092	R112	R-CHIP 1.1 kohm, 5 %, 1/16 W, DA, TP, 1005	
2	2007-007197	R114	R-CHIP 3.3 ohm, 5 %, 1/16 W, DA, TP, 1005	
2	2007-007197	R115	R-CHIP 3.3 ohm, 5 %, 1/16 W, DA, TP, 1005	
2	2007-000775	R116	R-CHIP 33 kohm, 5 %, 1/16 W, DA, TP, 1005	
2	2007-000173	R117	R-CHIP 22 ohm, 5 %, 1/16 W, DA, TP, 1005	
2	2007-000140	R201	R-CHIP 1 kohm, 5 %, 1/16 W, DA, TP, 1005	
2	2007-000148	R202	R-CHIP 10 kohm, 5 %, 1/16 W, DA, TP, 1005	
2	2007-000148	R204	R-CHIP 10 kohm, 5 %, 1/16 W, DA, TP, 1005	
2	2007-000148	R205	R-CHIP 10 kohm, 5 %, 1/16 W, DA, TP, 1005	
2	2007-000148	R206	R-CHIP 10 kohm, 5 %, 1/16 W, DA, TP, 1005	
2	2007-000148	R207	R-CHIP 10 kohm, 5 %, 1/16 W, DA, TP, 1005	
2	2007-000170	R212	R-CHIP 1 Mohm, 5 %, 1/16 W, DA, TP, 1005	
2	2007-007771	R213	R-CHIP 0 ohm, 5 %, 1/16 W, DA, TP, 1005	
2	2007-000138	R214	R-CHIP 100 ohm, 5 %, 1/16 W, DA, TP, 1005	
2	2007-001298	R301	R-CHIP 51 ohm, 5 %, 1/16 W, DA, TP, 1005	
2	2007-007001	R302	R-CHIP 3.9 kohm, 5 %, 1/16 W, DA, TP, 1005	
2	2007-000172	R303	R-CHIP 10 ohm, 5 %, 1/16 W, DA, TP, 1005	
2	2007-000143	R304	R-CHIP 4.7 kohm, 5 %, 1/16 W, DA, TP, 1005	
2	2007-001298	R305	R-CHIP 51 ohm, 5 %, 1/16 W, DA, TP, 1005	
2	2007-001323	R306	R-CHIP 3 kohm, 5 %, 1/16 W, DA, TP, 1005	
2	2007-001323	R307	R-CHIP 3 kohm, 5 %, 1/16 W, DA, TP, 1005	
2	2007-000172	R308	R-CHIP 10 ohm, 5 %, 1/16 W, DA, TP, 1005	
2	2007-000140	R309	R-CHIP 1 kohm, 5 %, 1/16 W, DA, TP, 1005	
2	2007-000173	R310	R-CHIP 22 ohm, 5 %, 1/16 W, DA, TP, 1005	
2	2007-000172	R312	R-CHIP 10 ohm, 5 %, 1/16 W, DA, TP, 1005	
2	2007-000146	R313	R-CHIP 6.8 kohm, 5 %, 1/16 W, DA, TP, 1005	

Electrical Parts List

Level	SEC CODE	Design LOC	DESCRIPTIONS	Remark
2	2007-000143	R314	R-CHIP 4.7 kohm, 5 %, 1/16 W, DA, TP, 1005	
2	2007-000172	R321	R-CHIP 10 ohm, 5 %, 1/16 W, DA, TP, 1005	
2	2007-000138	R322	R-CHIP 100 ohm, 5 %, 1/16 W, DA, TP, 1005	
2	2007-000138	R323	R-CHIP 100 ohm, 5 %, 1/16 W, DA, TP, 1005	
2	2007-000173	R325	R-CHIP 22 ohm, 5 %, 1/16 W, DA, TP, 1005	
2	2007-000172	R326	R-CHIP 10 ohm, 5 %, 1/16 W, DA, TP, 1005	
2	2007-001298	R327	R-CHIP 51 ohm, 5 %, 1/16 W, DA, TP, 1005	
2	2007-001298	R328	R-CHIP 51 ohm, 5 %, 1/16 W, DA, TP, 1005	
2	2007-007001	R329	R-CHIP 3.9 kohm, 5 %, 1/16 W, DA, TP, 1005	
2	2007-000162	R401	R-CHIP 100 kohm, 5 %, 1/16 W, DA, TP, 1005	
2	2007-000143	R402	R-CHIP 4.7 kohm, 5 %, 1/16 W, DA, TP, 1005	
2	2007-007771	R403	R-CHIP 0 ohm, 5 %, 1/16 W, DA, TP, 1005	
2	2007-007833	R406	R-CHIP 0.68 ohm, 2 %, 1/10 W, DA, TP, 2012	
2	2007-000148	R409	R-CHIP 10 kohm, 5 %, 1/16 W, DA, TP, 1005	
2	2007-000141	R417	R-CHIP 2.2 kohm, 5 %, 1/16 W, DA, TP, 1005	
2	2007-000138	R418	R-CHIP 100 ohm, 5 %, 1/16 W, DA, TP, 1005	
2	2007-007771	R419	R-CHIP 0 ohm, 5 %, 1/16 W, DA, TP, 1005	
2	2007-007771	R420	R-CHIP 0 ohm, 5 %, 1/16 W, DA, TP, 1005	
2	2007-000172	R501	R-CHIP 10 ohm, 5 %, 1/16 W, DA, TP, 1005	
2	2007-000148	R503	R-CHIP 10 kohm, 5 %, 1/16 W, DA, TP, 1005	
2	2007-000148	R504	R-CHIP 10 kohm, 5 %, 1/16 W, DA, TP, 1005	
2	2007-000137	R505	R-CHIP 2 kohm, 5 %, 1/16 W, DA, TP, 1005	
2	2007-000137	R507	R-CHIP 2 kohm, 5 %, 1/16 W, DA, TP, 1005	
2	2007-000140	R509	R-CHIP 1 kohm, 5 %, 1/16 W, DA, TP, 1005	
2	2007-000148	R510	R-CHIP 10 kohm, 5 %, 1/16 W, DA, TP, 1005	
2	2007-007470	R512	R-CHIP 7.5 kohm, 1 %, 1/16 W, DA, TP, 1005	
2	2007-007312	R513	R-CHIP 20 kohm, 1 %, 1/16 W, DA, TP, 1005	
2	2007-000148	R514	R-CHIP 10 kohm, 5 %, 1/16 W, DA, TP, 1005	
2	2007-000144	R516	R-CHIP 5.1 kohm, 5 %, 1/16 W, DA, TP, 1005	
2	2007-007771	R517	R-CHIP 0 ohm, 5 %, 1/16 W, DA, TP, 1005	
2	2007-000170	R518	R-CHIP 1 Mohm, 5 %, 1/16 W, DA, TP, 1005	
2	2007-001298	R519	R-CHIP 51 ohm, 5 %, 1/16 W, DA, TP, 1005	
2	2007-000144	R520	R-CHIP 5.1 kohm, 5 %, 1/16 W, DA, TP, 1005	
2	2007-001305	R521	R-CHIP 120 ohm, 5 %, 1/16 W, DA, TP, 1005	
2	2007-001305	R522	R-CHIP 120 ohm, 5 %, 1/16 W, DA, TP, 1005	

Level	SEC CODE	Design LOC	DESCRIPTIONS	Remark
2	2007-000140	R523	R-CHIP 1 kohm, 5 %, 1/16 W, DA, TP, 1005	
2	2007-000139	R524	R-CHIP 220 ohm, 5 %, 1/16 W, DA, TP, 1005	
2	2007-007095	R525	R-CHIP 390 ohm, 5 %, 1/16 W, DA, TP, 1005	
2	2007-003001	R526	R-CHIP 12 ohm, 5 %, 1/16 W, DA, TP, 1005	
2	2007-002965	R527	R-CHIP 15 ohm, 5 %, 1/16 W, DA, TP, 1005	
2	2007-001306	R528	R-CHIP 150 ohm, 5 %, 1/16 W, DA, TP, 1005	
2	2007-001308	R529	R-CHIP 200 ohm, 5 %, 1/16 W, DA, TP, 1005	
2	2007-007193	R530	R-CHIP 5.1 ohm, 5 %, 1/16 W, DA, TP, 1005	
2	2007-000151	R531	R-CHIP 15 kohm, 5 %, 1/16 W, DA, TP, 1005	
2	2007-000140	R532	R-CHIP 1 kohm, 5 %, 1/16 W, DA, TP, 1005	
2	2007-001298	R533	R-CHIP 51 ohm, 5 %, 1/16 W, DA, TP, 1005	
2	2007-000157	R534	R-CHIP 47 kohm, 5 %, 1/16 W, DA, TP, 1005	
2	2007-000148	R535	R-CHIP 10 kohm, 5 %, 1/16 W, DA, TP, 1005	
2	2007-000142	R601	R-CHIP 2.7 kohm, 5 %, 1/16 W, DA, TP, 1005	
2	2007-000148	R603	R-CHIP 10 kohm, 5 %, 1/16 W, DA, TP, 1005	
2	2007-000162	R609	R-CHIP 100 kohm, 5 %, 1/16 W, DA, TP, 1005	
2	2007-000168	R611	R-CHIP 470 kohm, 5 %, 1/16 W, DA, TP, 1005	
2	2007-000153	R613	R-CHIP 22 kohm, 5 %, 1/16 W, DA, TP, 1005	
2	2007-001119	R614	R-CHIP 680 ohm, 5 %, 1/16 W, DA, TP, 1005	
2	2007-000162	R631	R-CHIP 100 kohm, 5 %, 1/16 W, DA, TP, 1005	
2	2007-001306	R633	R-CHIP 150 ohm, 5 %, 1/16 W, DA, TP, 1005	
2	2007-000140	R634	R-CHIP 1 kohm, 5 %, 1/16 W, DA, TP, 1005	
2	2007-007875	R637	R-CHIP 160 kohm, 1 %, 1/16 W, DA, TP, 1005	
2	2007-000162	R638	R-CHIP 100 kohm, 5 %, 1/16 W, DA, TP, 1005	
2	2007-007592	R639	R-CHIP 270 kohm, 1 %, 1/16 W, DA, TP, 1005	
2	2007-000162	R640	R-CHIP 100 kohm, 5 %, 1/16 W, DA, TP, 1005	
2	2007-000162	R641	R-CHIP 100 kohm, 5 %, 1/16 W, DA, TP, 1005	
2	2007-000165	R642	R-CHIP 200 kohm, 5 %, 1/16 W, DA, TP, 1005	
2	2007-000775	R643	R-CHIP 33 kohm, 5 %, 1/16 W, DA, TP, 1005	
2	2007-007309	R644	R-CHIP 12 kohm, 1 %, 1/16 W, DA, TP, 1005	
2	2007-000636	R645	R-CHIP 270 kohm, 5 %, 1/16 W, DA, TP, 1005	
2	2007-001333	R646	R-CHIP 18 kohm, 5 %, 1/16 W, DA, TP, 1005	
2	2007-000149	R647	R-CHIP 12 kohm, 5 %, 1/16 W, DA, TP, 1005	
2	2007-000140	R648	R-CHIP 1 kohm, 5 %, 1/16 W, DA, TP, 1005	
2	2007-000142	R649	R-CHIP 2.7 kohm, 5 %, 1/16 W, DA, TP, 1005	

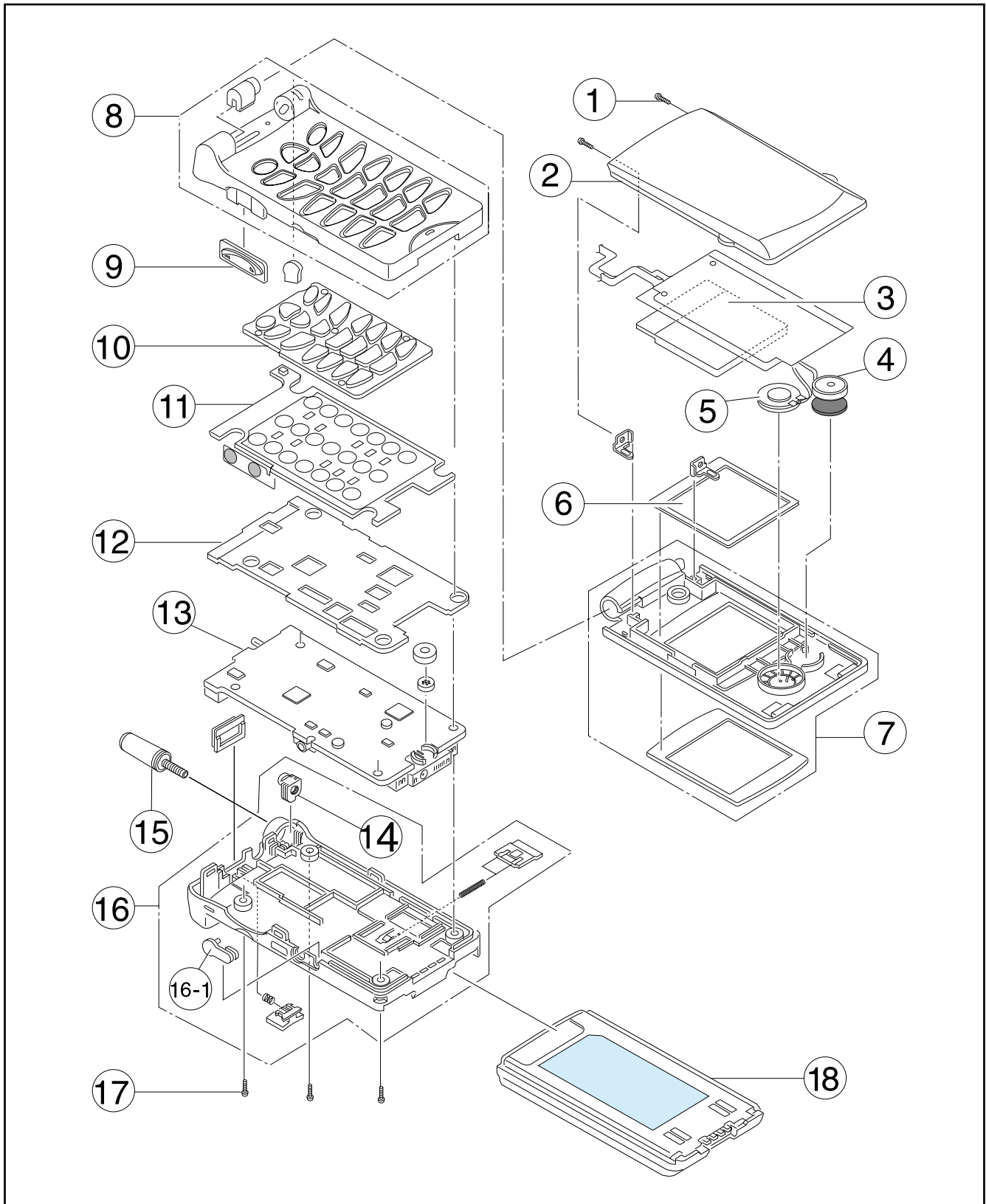
Electrical Parts List

Level	SEC CODE	Design LOC	DESCRIPTIONS	Remark
2	2007-007008	R650	R-CHIP 300 ohm, 5 %, 1/16 W, DA, TP, 1005	
2	2007-000140	R651	R-CHIP 1 kohm, 5 %, 1/16 W, DA, TP, 1005	
2	2007-000140	R652	R-CHIP 1 kohm, 5 %, 1/16 W, DA, TP, 1005	
2	2007-002797	R653	R-CHIP 560 ohm, 5 %, 1/16 W, DA, TP, 1005	
2	2007-000140	R654	R-CHIP 1 kohm, 5 %, 1/16 W, DA, TP, 1005	
2	2007-000162	R655	R-CHIP 100 kohm, 5 %, 1/16 W, DA, TP, 1005	
2	2007-001307	R656	R-CHIP 180 ohm, 5 %, 1/16 W, DA, TP, 1005	
2	2007-000758	R680	R-CHIP 330 kohm, 5 %, 1/16 W, DA, TP, 1005	
2	2007-000758	R681	R-CHIP 330 kohm, 5 %, 1/16 W, DA, TP, 1005	
1	GH44-00103A	TA	ADAPTOR-SGHA100 TA SGH-A100, AC/DC, -, 85~265VAC	
2	1205-001708	U101	IC-CODEC 20420, BGA, 100P, -, PLASTIC, 2.7 V, -	
2	0902-001231	U201	IC-MICROPROCESSOR 46, 16BIT, BGA, 180P, -	
2	1203-001917	U202	IC-VOLTAGE REGULATOR 5213, SOT-23, 5P, 50MIL,	
2	1205-001647	U301	IC-TRANSCEIVER RF137, TQFP, 48P, 275MIL, PALSTIC,	
2	1203-001703	U401	IC-VOLTAGE REGULATOR 20436, TQFP, 48P, 275MIL,	
2	2909-001084	U501	FILTER-DUPLEXER 942.5MHZ, 897.5MHZ, 1/1.2DB, TP, -	
2	1201-001420	U502	IC-IF/RF AMP RF210, TSSOP, 20P, 255MIL, -, -, PLASTIC,	
2	4709-001144	U503	COUPLER-DIRECTION 897.5/1747.5MHZ, 19DB/14DB,	
2	0504-001042	U504	TR-DIGITAL BCR10PN, NPN/PNP, 250m W, 10K/10K,	
2	0504-001042	U505	TR-DIGITAL BCR10PN, NPN/PNP, 250m W, 10K/10K,	
2	0504-001042	U506	TR-DIGITAL BCR10PN, NPN/PNP, 250m W, 10K/10K,	
2	1109-001135	U507	IC-ETC. MEMORY 1342, 128KX16BIT, CSP, 72P, -, 100NS,	
2	0801-002015	U508	IC-CMOS LOGIC 4S81, AND GATE, SOP, 5P, 63MIL, SIN	
2	1209-001219	U509	IC-SENSOR LM60C, SOT-23, 3P, 115MIL, PLASTIC	
2	1201-001421	U510	IC-IF/RF AMP RF142, TSSOP, 20P, 255MIL, -, 15DB,	
2	1201-001422	U511	IC-POWER AMP RM008, MCM, 16P, 457MIL, -, -, PALSTIC,	
2	0801-002015	U512	IC-CMOS LOGIC 4S81, AND GATE, SOP, 5P, 63MIL, SIN	
2	1103-001090	U513	IC-EEPROM 24C128, 16Kx8BIT, SOP, 8P, 150MIL,	
2	0801-002399	U514	IC-CMOS LOGIC TC7S86FU, EX-OR GATE, SSOP, 5P, 11	
2	2806-001192	U515	OSCILLATOR-VCO 902.5/1747.5MHZ, -, -, TP, 2.7 V, 50MA	
2	0504-001042	U516	TR-DIGITAL BCR10PN, NPN/PNP, 250m W, 10K/10K,	
2	1201-001462	U602	IC-AUDIO AMP 4864, MSOP, 8P, 118MIL, -, -, PLASTIC, 6 V,	
2	0504-001071	U604	TR-DIGITAL UMD9N, NPN/PNP, 150m W, 4.7, UMT6, TP	
2	1203-001515	U605	IC-BATTERY 1510, SSOP, 16P, 150MIL, PLASTIC, 3	
2	0801-002399	U606	IC-CMOS LOGIC TC7S86FU, EX-OR GATE, SSOP, 5P, 11	

Level	SEC CODE	Design LOC	DESCRIPTIONS	Remark
2	0506-001052	U607	TR-ARRAY UMH9N, NPN, 2, 150M W, SC-88, TP, 68-	
2	0506-001052	U608	TR-ARRAY UMH9N, NPN, 2, 150M W, SC-88, TP, 68-	
2	0506-001052	U609	TR-ARRAY UMH9N, NPN, 2, 150M W, SC-88, TP, 68-	
2	0407-001002	U616	DIODE-ARRAY DAN222, 80 V, 300mA, CA2-3, EM3, TP	
2	1405-001082	V401	VARISTOR 5.6 V, 20A, 1x0.5x0.6mm, TP	
2	1405-001082	V601	VARISTOR 5.6 V, 20A, 1x0.5x0.6mm, TP	
2	1405-001082	V602	VARISTOR 5.6 V, 20A, 1x0.5x0.6mm, TP	
2	1405-001082	V603	VARISTOR 5.6 V, 20A, 1x0.5x0.6mm, TP	
2	1405-001082	V604	VARISTOR 5.6 V, 20A, 1x0.5x0.6mm, TP	
2	1405-001082	V75	VARISTOR 5.6 V, 20A, 1x0.5x0.6mm, TP	
2	1405-001082	V76	VARISTOR 5.6 V, 20A, 1x0.5x0.6mm, TP	
2	1405-001082	V77	VARISTOR 5.6 V, 20A, 1x0.5x0.6mm, TP	
2	1405-001082	V78	VARISTOR 5.6 V, 20A, 1x0.5x0.6mm, TP	
2	1405-001082	V79	VARISTOR 5.6 V, 20A, 1x0.5x0.6mm, TP	
2	0404-001044	ZD402	DIODE-SCHOTTKY UPS5817, 20 V, 1A, SMD, TP	
2	0404-001044	ZD406	DIODE-SCHOTTKY UPS5817, 20 V, 1A, SMD, TP	
2	0404-000108	ZD407	DIODE-SCHOTTKY RB705D, 20 V, 30mA, SOT-23, TP	
2	0404-000108	ZD408	DIODE-SCHOTTKY RB705D, 20 V, 30mA, SOT-23, TP	
2	0406-001051	ZD605	DIODE-TVS SMS05C, 6 V, 300 W, SOT-23-6	
2	0406-001051	ZD606	DIODE-TVS SMS05C, 6 V, 300 W, SOT-23-6	
2	0404-001044	ZD608	DIODE-SCHOTTKY UPS5817, 20 V, 1A, SMD, TP	
2	0404-001044	ZD609	DIODE-SCHOTTKY UPS5817, 20 V, 1A, SMD, TP	

2. Exploded View and its Parts List

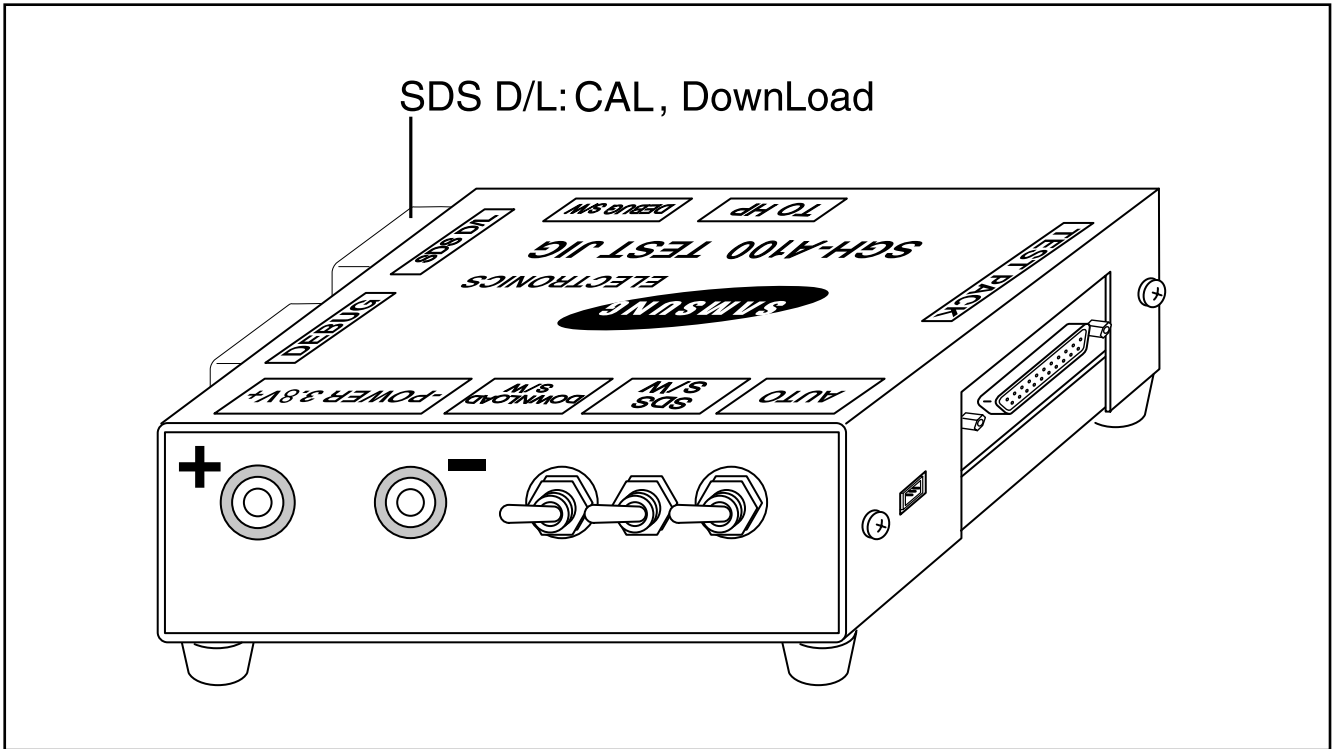
2-1 Cellular phone Exploded View



2-2 Cellular phone Parts List

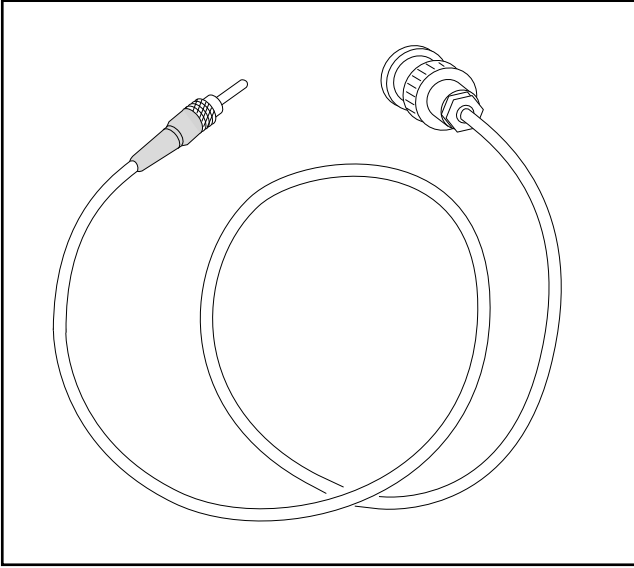
No	Description	SEC.CODE			Remark
		Silver	Gold	Black	
1	SCREW-MACHINE	6001-000876	6001-000876	6001-000876	
2	FOLDER-UPPER	GH72-00507B	GH72-00507A	GH72-00507C	
3	DISPLAY-LCD	GH96-00808A	GH96-00808A	GH96-00808A	
4	MOTOR	GH31-00003A	GH31-00003A	GH31-00003A	
5	SPEAKER	3001-001126	3001-001126	3001-001126	
6	WINDOW-LCD	GH72-00515A	GH72-00515A	GH72-00515B	
7	FOLDER LOWER	GH72-00508B	GH72-00508A	GH72-00508C	
8	FRONT CASE	GH72-00505B	GH72-00505A	GH72-00505C	
9	VOLUME KEY	GH72-00510B	GH72-00510A	GH72-00510C	
10	KEY PAD-RUBBER	GH73-00156A	GH73-00156A	GH73-00156A	
11	KEY PAD BORD	GH59-00018A	GH59-00018A	GH59-00018A	
12	SHIELD-COVER	GH72-00511A	GH72-00511A	GH72-00511A	
13	MAIN-BORD	GH92-00724A	GH92-00724A	GH92-00724A	
14	ANTENNA BUSHING	GH71-00076A	GH71-00076A	GH71-00076A	
15	ANTENNA	GH42-00042B	GH42-00042A	GH42-00042C	
16	REAR-COVER	GH75-00320B	GH75-00320A	GH75-00320C	
16-1	EAR-JACK	GH73-00157A	GH73-00157A	GH73-00157B	
17	SCREW-MACHINE	6001-001148	6001-001148	6001-001148	
18	BATTERY	GH43-00200A	GH43-00199A	GH43-00218A	Slim
		GH43-00156A	GH43-00155A	GH43-00217A	Standard

2-3 Test Jig (GH80-00161A)

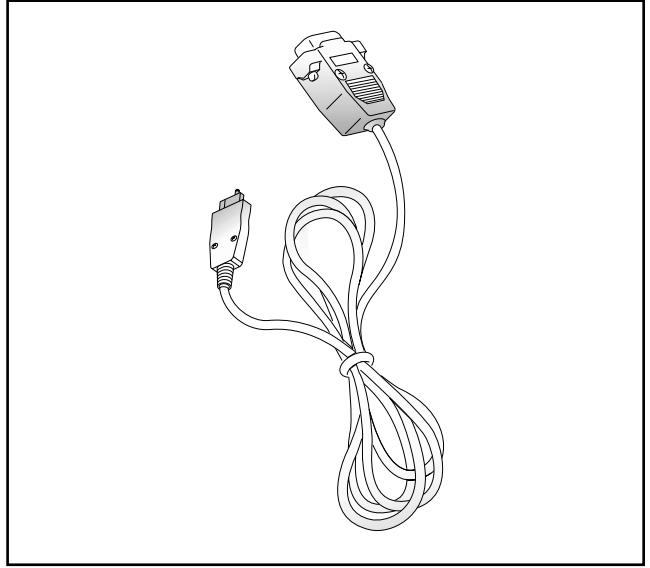


	SWITCH					
MODE	AUTO	SDS S/W	DOWNLOAD S/W	DEBUG S/W	SDS D/L	DEBUG
D/L	HIGH	LOW	HIGH	LOW	CONNECT	N.C
CAL	HIGH	LOW	LOW	HIGH	CONNECT	N.C

2-4 RF Cable (GH39-00002A)

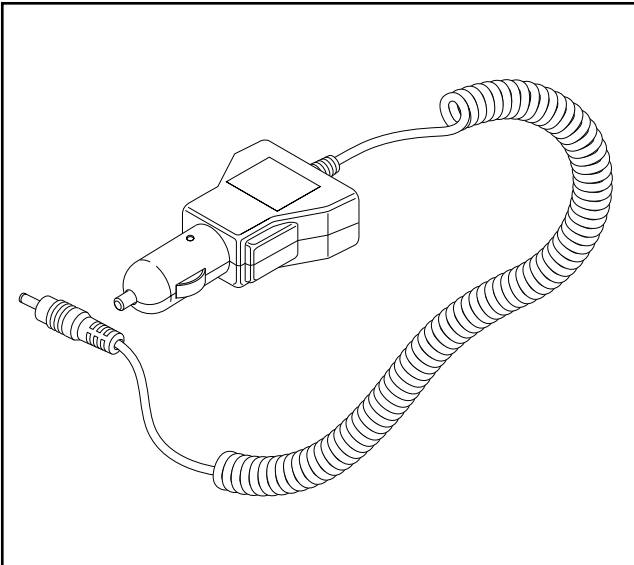


2-5 Test Cable (GH39-00042A)

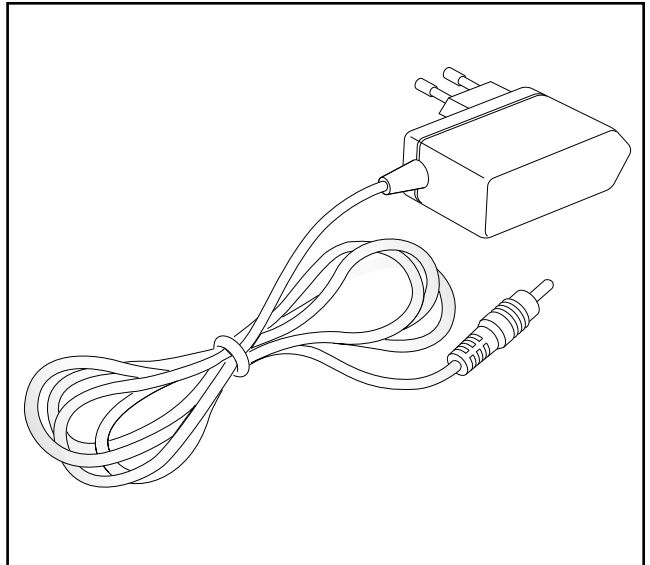


2-6 Cigarette Lighter Adaptor

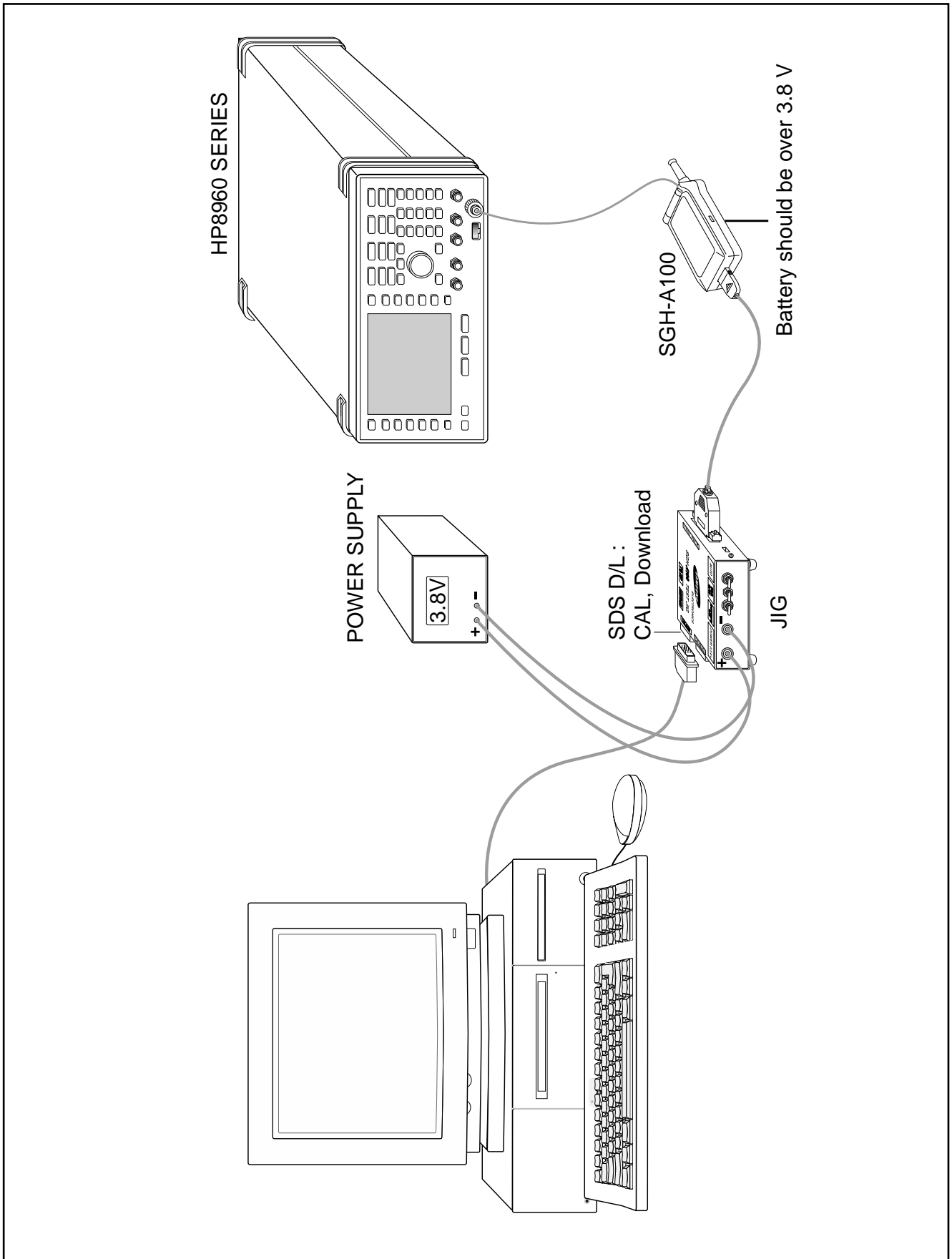
(GH44-00112A)



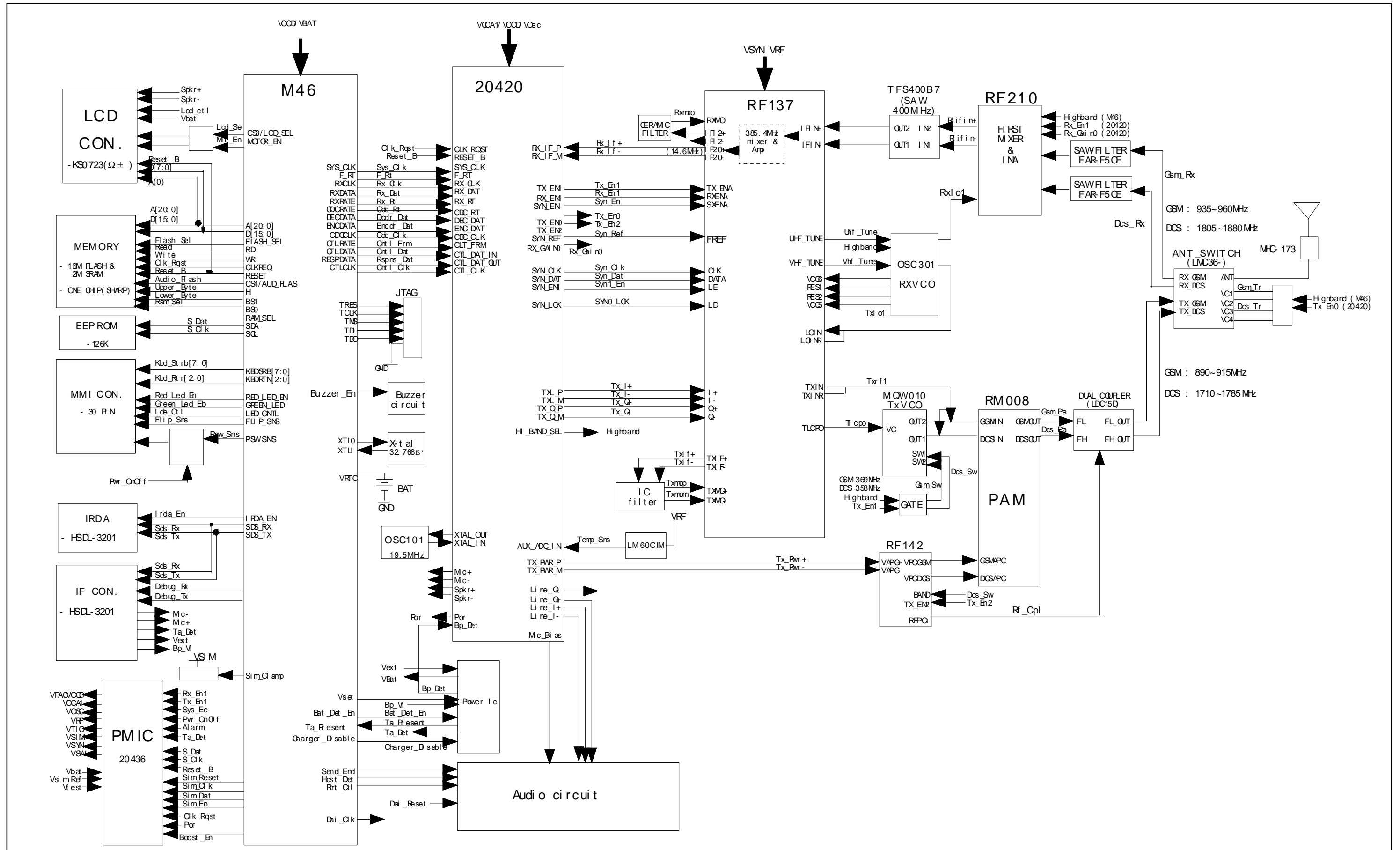
2-7 Travel Adaptor (GH44-00103A)



2-8 Test Connection Method

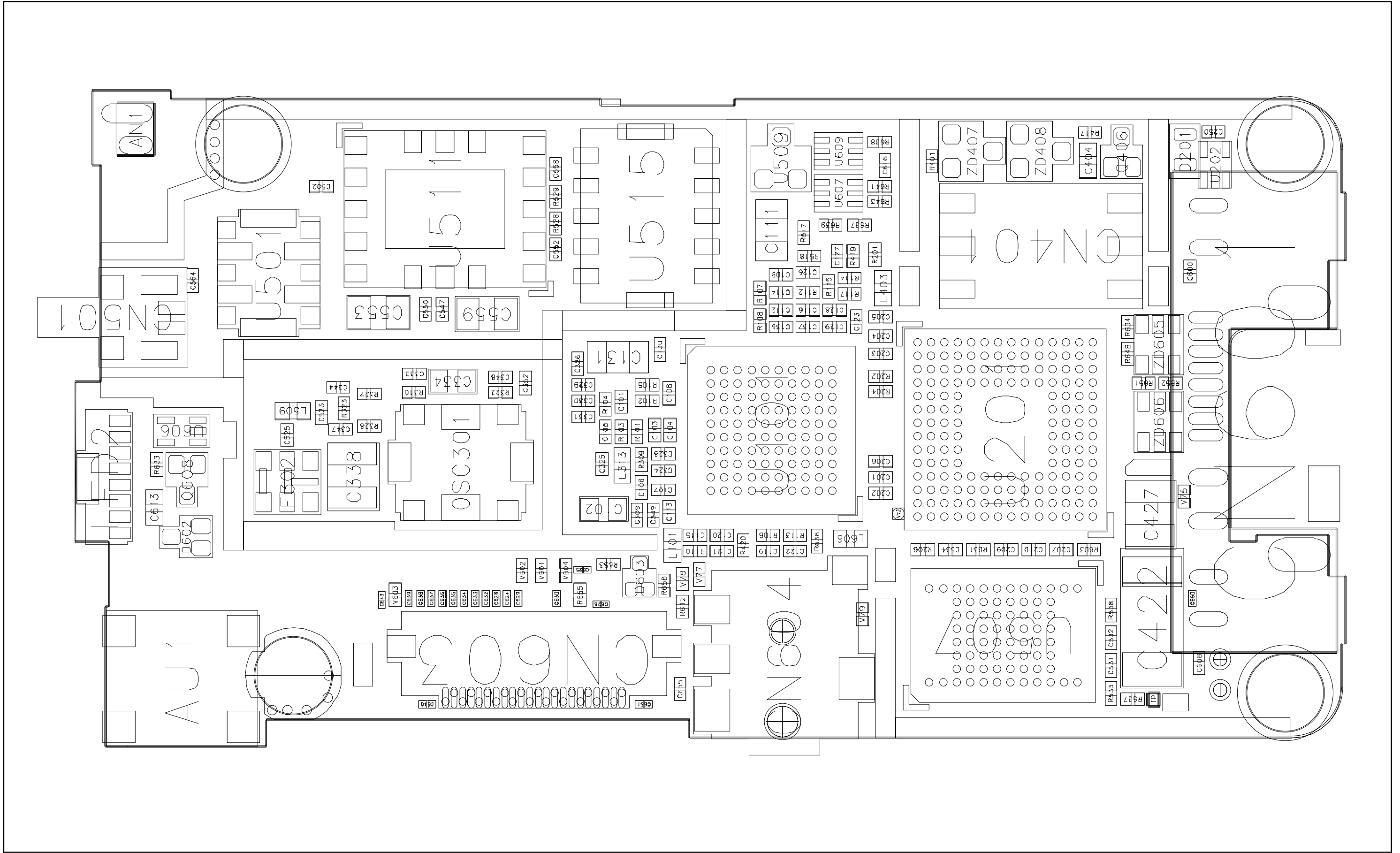


3. Block Diagrams

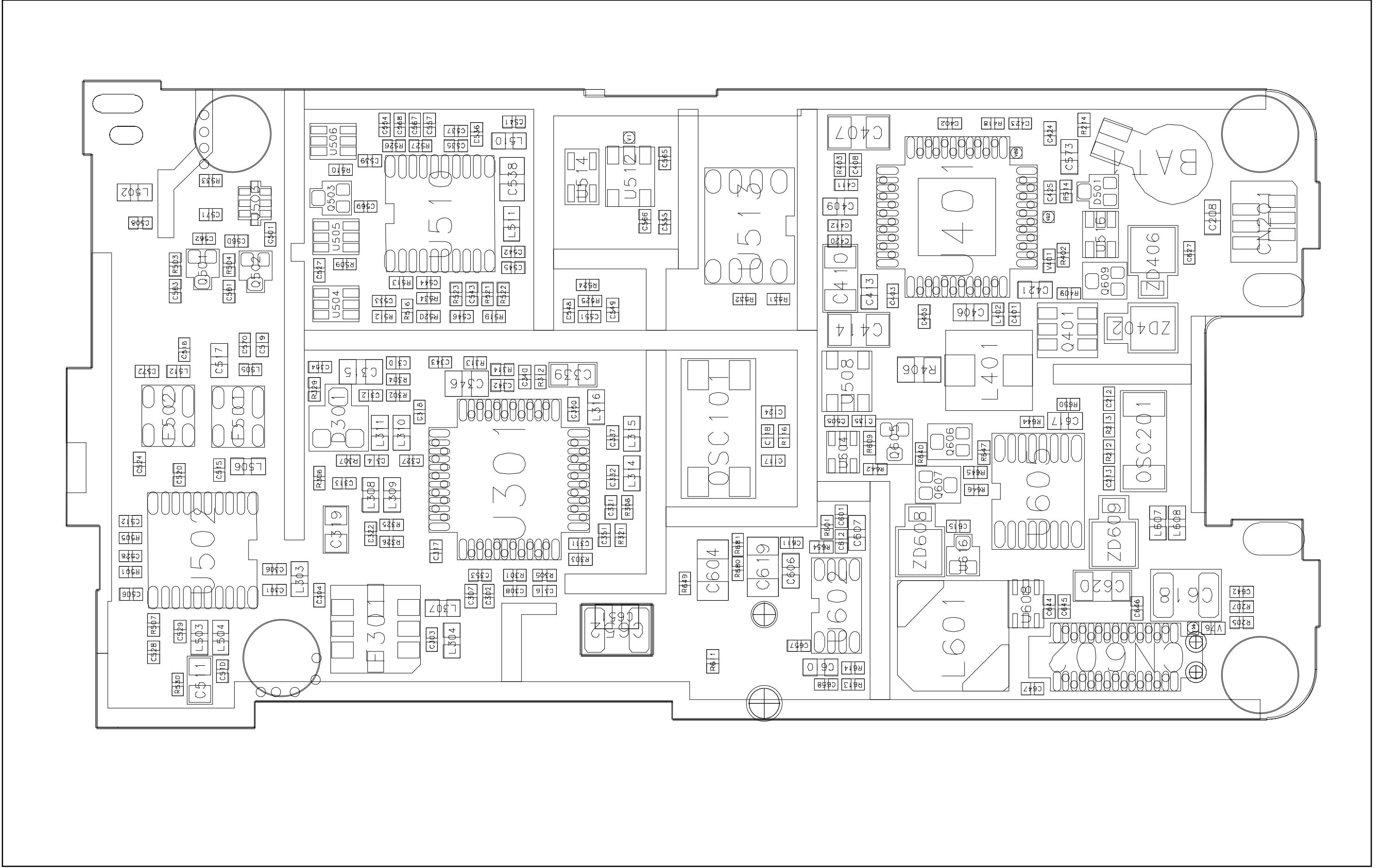


4. PCB Diagrams

4-1 Main PCB Top Diagram

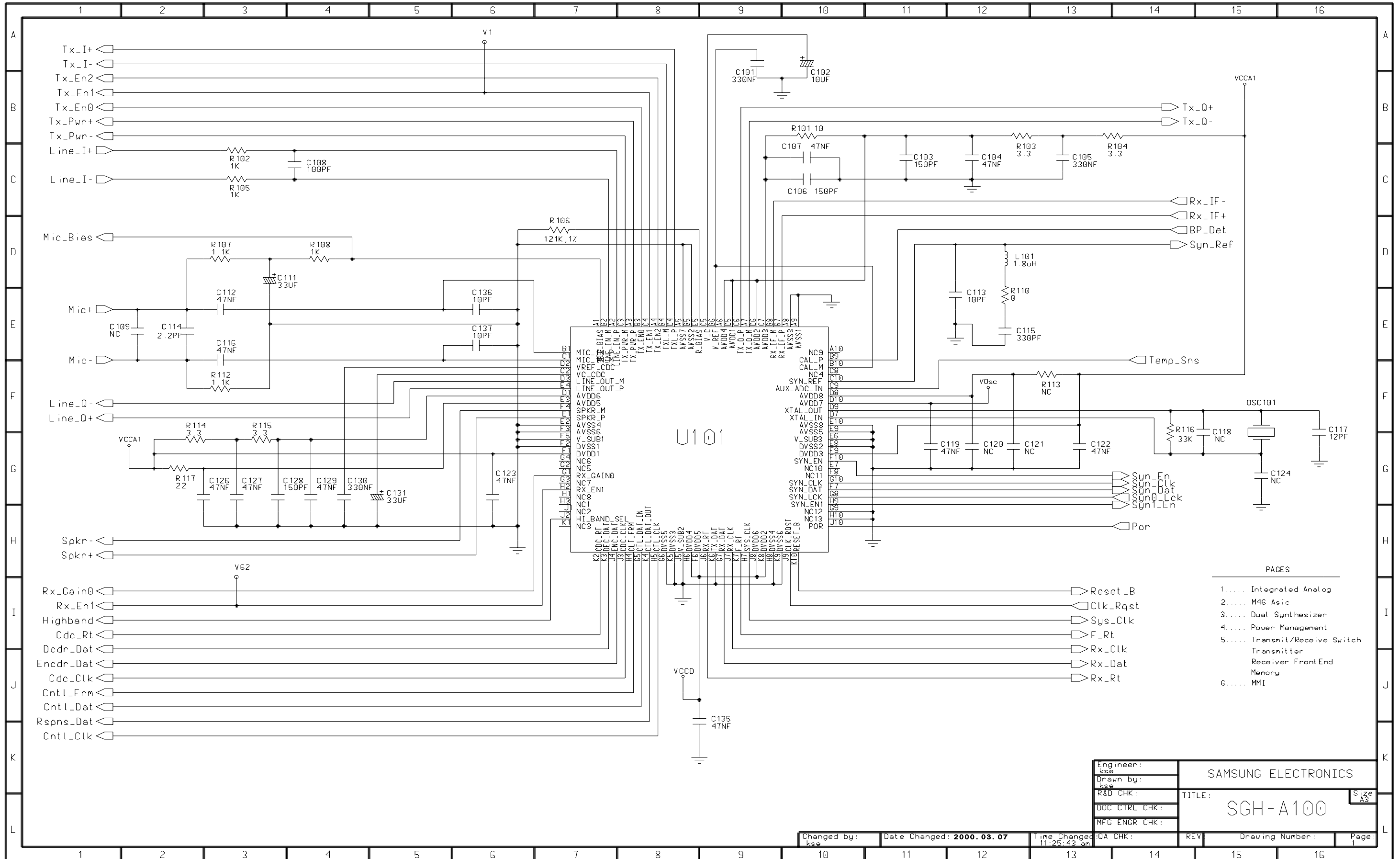


4-2 Main PCB Bottom Diagram



5. Circuit Diagrams

5-1 Integrated Analog Circuit Diagram



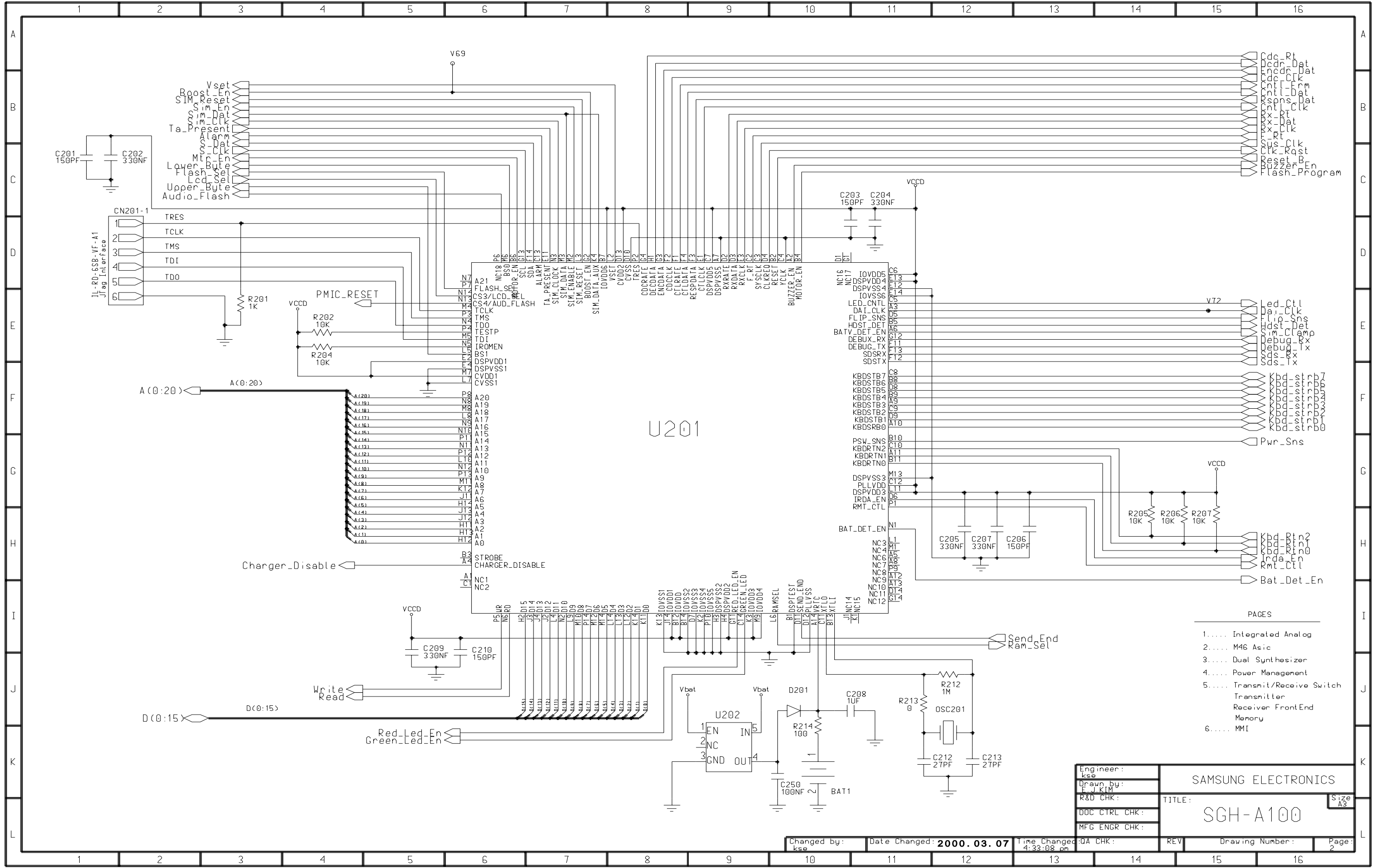
PAGES

- 1..... Integrated Analog
- 2..... M46 Asic
- 3..... Dual Synthesizer
- 4..... Power Management
- 5..... Transmit/Receive Switch
Transmitter
Receiver FrontEnd
Memory
- 6..... MMI

Engineer:	kse	SAMSUNG ELECTRONICS
Drawn by:	kse	
R&D CHK:		
DOC CTRL CHK:		
MFG ENGR CHK:		
TITLE:		SGH-A100
REV	Drawing Number:	

Changed by:	Date Changed:	Time Changed:	DA CHK:	REV	Drawing Number:	Page:
kse	2000.03.07	11:25:43 am				1

5-2 M46 Asic Circuit Diagram



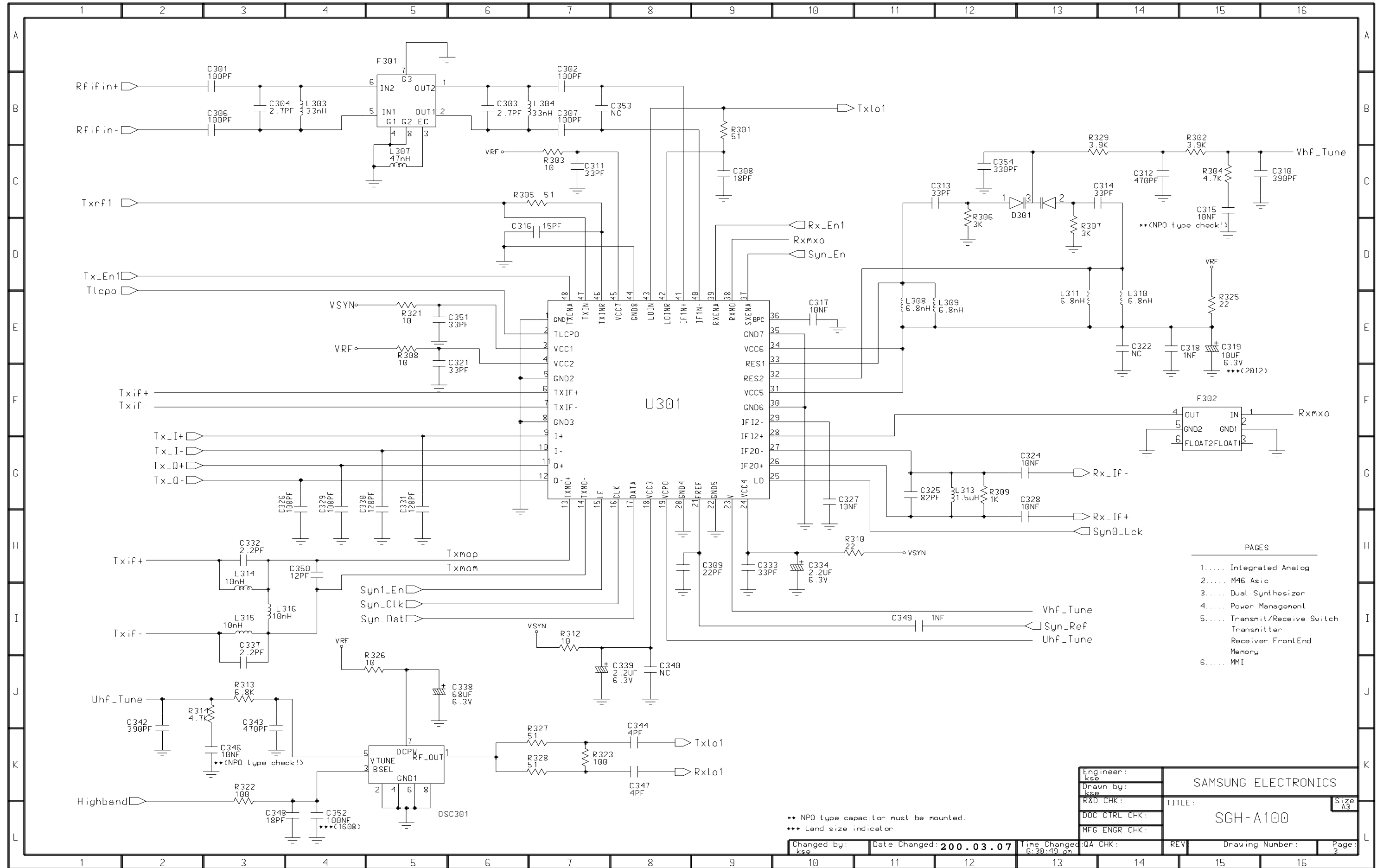
PAGES

- 1..... Integrated Analog
- 2..... M46 Asic
- 3..... Dual Synthesizer
- 4..... Power Management
- 5..... Transmit/Receive Switch Transmitter Receiver FrontEnd Memory
- 6..... MMI

Engineer : ksp	SAMSUNG ELECTRONICS
Drawn by : E.J.KIM	
R&D CHK :	
DOC CTRL CHK :	
MFG ENGR CHK :	
TITLE : SGH-A100	

Changed by : ksp	Date Changed : 2000.03.07	Time Changed : 4:33:08 pm	QA CHK :	REV :	Drawing Number :	Page : 2
------------------	---------------------------	---------------------------	----------	-------	------------------	----------

5-3 Dual Synthesizer Circuit Diagram



PAGES

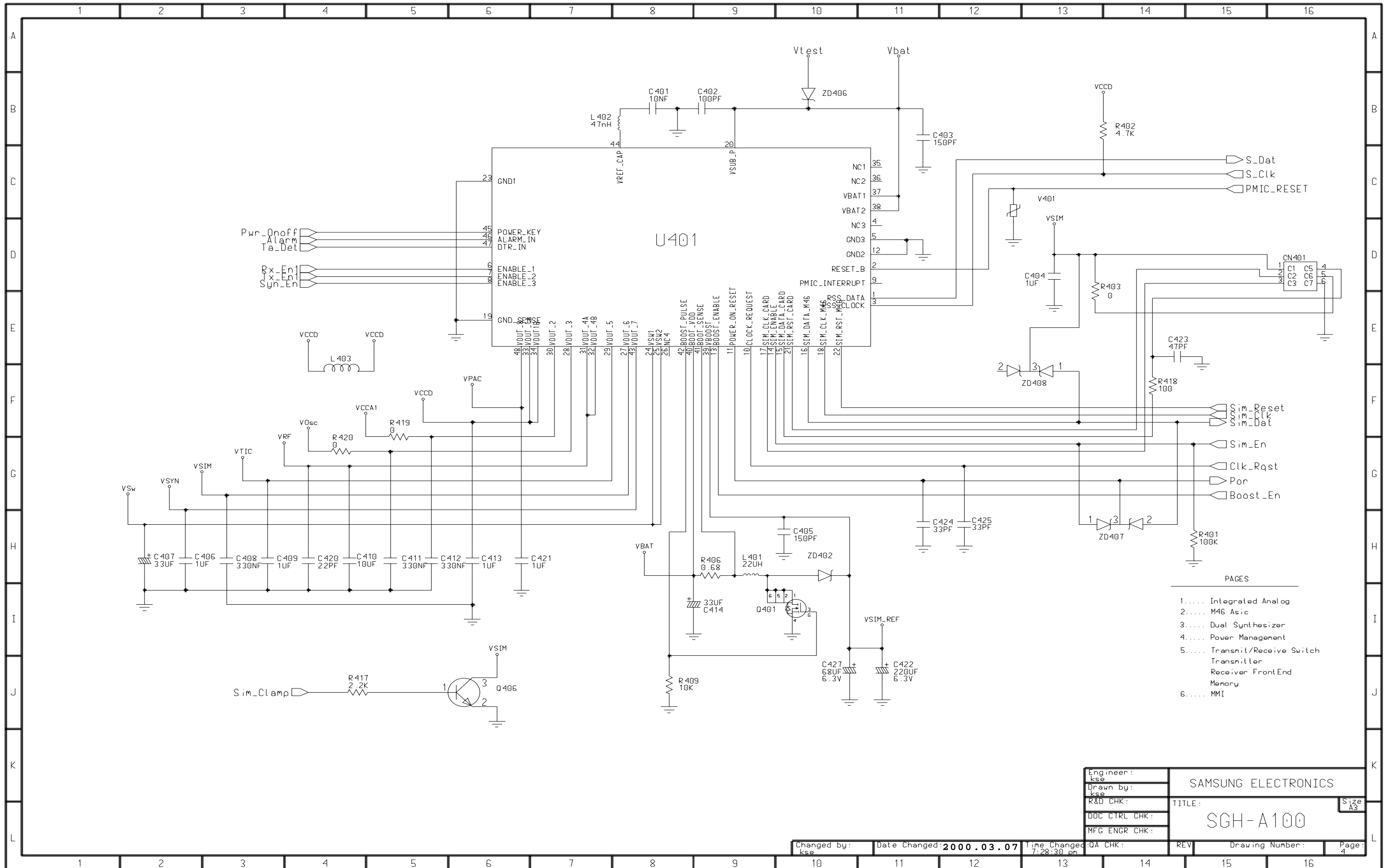
1.....	Integrated Analog
2.....	M46 Asic
3.....	Dual Synthesizer
4.....	Power Management
5.....	Transmit/Receive Switch Transmitter Receiver FrontEnd Memory
6.....	MMI

Engineer:	ksa	SAMSUNG ELECTRONICS
Drawn by:	ksa	
R&D CHK:		
DOC CTRL CHK:		
MFG ENGR CHK:		
TITLE:		SGH-A100
Size:	A3	

** NPO type capacitor must be mounted.
 *** Land size indicator.

Changed by:	Date Changed:	200.03.07	Time Changed:	6:30:49 on	QA CHK:	REV:	Drawing Number:	Page:
ksa								3

5-4 Power Management Circuit Diagram



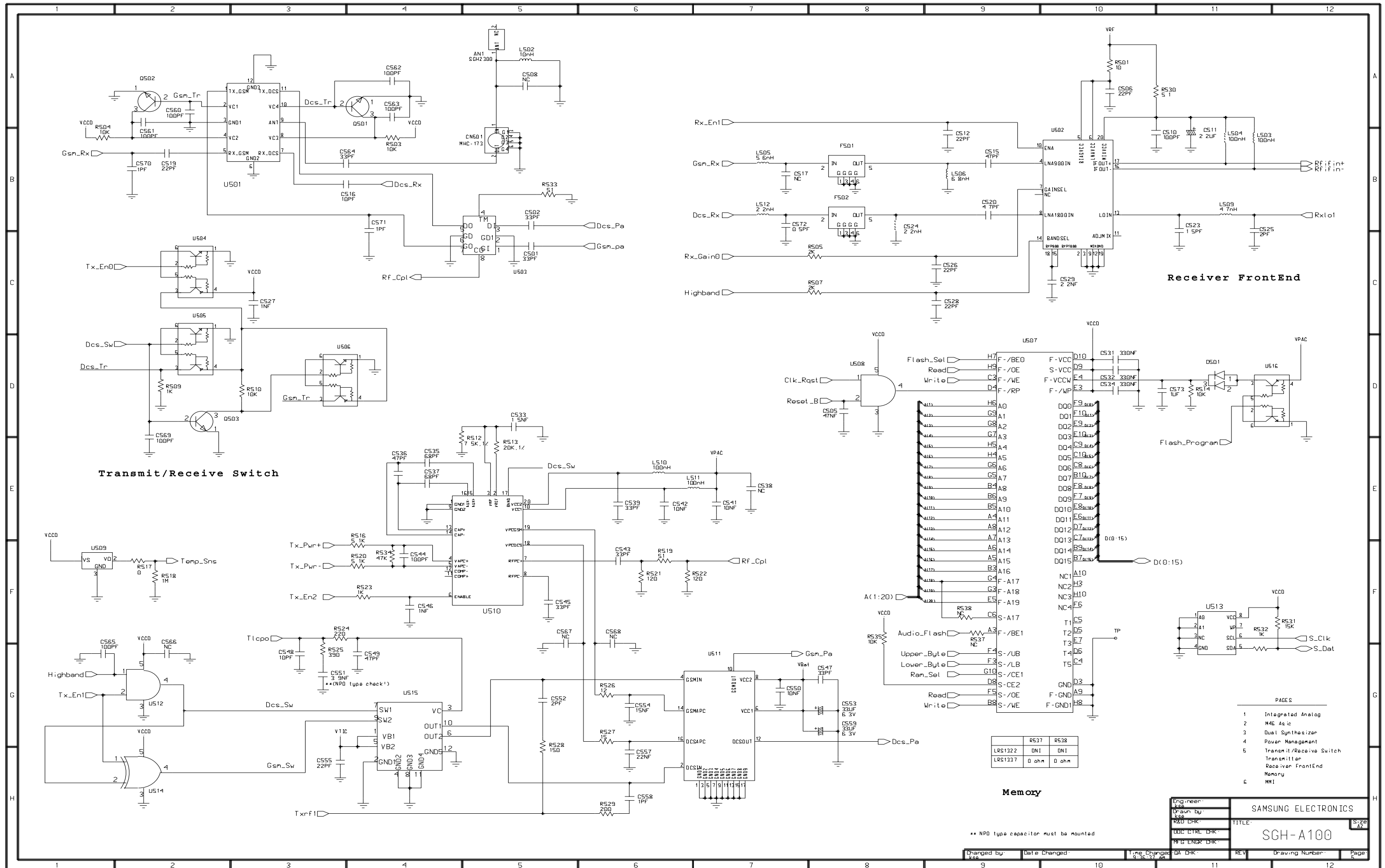
PAGES

1.....	Integrated Analog
2.....	M46 Asic
3.....	Dual Synthesizer
4.....	Power Management
5.....	Transmit/Receive Switch Transmitter Receiver FrontEnd Memory
6.....	MMI

Engineer: kso	SAMSUNG ELECTRONICS	
Drawn by: kso	TITLE:	
R&D CHK:	Size A3	
DOC CTRL CHK:	SGH-A100	
MFG ENGR CHK:		

Changed by: kso	Date Changed: 2000.03.07	Time Changed: 7:28:30 am	QA CHK:	REV	Drawing Number:	Page: 4
--------------------	-----------------------------	-----------------------------	---------	-----	-----------------	------------

5-5 Transmit/Receive Switch, Transmitter, Receiver FrontEnd, Memory Circuit Diagram



Transmit/Receive Switch

Receiver FrontEnd

Memory

PAGES

1	Integrated Analog
2	M46 Asic
3	Dual Synthesizer
4	Power Management
5	Transmit/Receive Switch Transmitter Receiver FrontEnd
6	Memory
7	NMI

Engineer:	SGH	SAMSUNG ELECTRONICS
Drawn by:	SGH	
RD CHK:		TITLE:
DDC CTRL CHK:		SGH-A100
PLS ENGR CHK:		Size: A2

Changed by:	Date Changed:	Time Changed:	REV	Drawing Number:	Page:
SGH	9-16-17	09:00	1		5

5-6 MMI Circuit Diagram

